

OSTIUM VESTIBULES - TYPE 2

PRE-ENGINEERED ARCHITECTURAL SYSTEMS

ARCHITECT:

ARCH. NAME

ARCH. ADDRESS 1

ARCH. ADDRESS 2

ARCH. CONTACT #

GLASS + METAL
CRAFT

48230 WEST ROAD

WIXOM, MI 48393

P. 248.624.5050

F. 248.624.6988



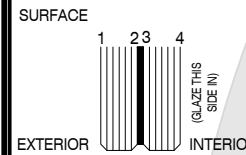
GLAZING SCHEDULE

SYSTEM NOTES

DESIGN CRITERIA

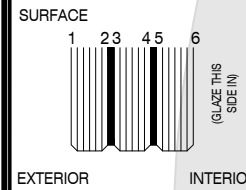
SUBMITTAL LOG

TYPE: GL-1 (GL-1)



13/16" LAMINATED GLASS
MAKEUP: 1/2" TEMPERED GLASS
0.060" CLEAR SGP INTERLAYER
1/2" TEMPERED GLASS
NOTES:
EXPOSED EDGES TO BE FLAT POLISHED
LAMINATED LOGO: NO LOGO:
*TEMPERING LOGO AVAILABLE UPON REQUEST

TYPE: GL-2 (GL-2)



1 1/4" LAMINATED GLASS
MAKEUP: 3/8" TEMPERED GLASS
0.060" CLEAR SGP INTERLAYER
3/8" TEMPERED GLASS
0.060" CLEAR SGP INTERLAYER
3/8" TEMPERED GLASS
NOTES:
EXPOSED EDGES TO BE FLAT POLISHED
LAMINATED LOGO: NO LOGO:
*TEMPERING LOGO AVAILABLE UPON REQUEST

METAL FINISH

1	PROPOSAL / PROGRESS REVIEW SUBMITTAL	XX.XX.XX	AL
2			
3			
4			
5			
6			

PROPRIETARY NOTICE:
THIS DRAWING SHEET AND CONTENTS HEREIN ARE PROPERTY OF GLASS AND METAL CRAFT AND ITS CUSTOMERS. USE OF THESE DRAWINGS, ITS CONTENT AND DESIGN CONCEPTS ARE INTENDED FOR THE USE OF THE INTENDED RECIPIENT. GLASS AND METAL CRAFT AND ITS CUSTOMERS ARE NOT RESPONSIBLE FOR USE BY OTHER PARTIES.

SHEET INDEX

C1	COVER SHEET
P1A THRU P1B	PLAN VIEWS
E1A THRU E1B	ELEVATIONS
D1 THRU D7	DETAILS

SUBMITTED FOR PRELIMINARY REVIEW. FOR DESIGN REPRESENTATION ONLY. THIS SUBMITTAL HAS NOT BEEN ENGINEERED TO ACCOMMODATE SITE-SPECIFIC CONDITIONS FOR THIS SYSTEM.

REVISION	DATE
SI	XX.XX.XX
1	-
2	-
3	-
4	-
DRAWN BY:	DATE:
AL	XX.XX.XX

ABBREVIATIONS

GLASS GLASS ORIENTATION	(E1-1A) GLASS TAG
WORKPOINT	(GL-1) GLASS GL TYPE
F.O. - FINISH OPENING	W.P. - WORK POINT
R.O. - ROUGH OPENING	F.F. - FINISH FLOOR
C.O. - CLEAR OPENING	V.I.F. - VERIFY IN FIELD
D.O. - DOOR OPENING	O.H. - OPPOSITE HAND
G.S. - GLASS SIZE	SIM. - SIMILAR
D.S. - DOOR SIZE	EQ. - EQUAL
E.O.G. - EDGE OF GLASS	☉ - CENTERLINE

ARCHITECT:
ARCHITECTURE FIRM NAME
GMC SYSTEM TYPE:
OSTIUM VESTIBULES - TYPE 2
PROJECT NAME:
PROJECT NAME

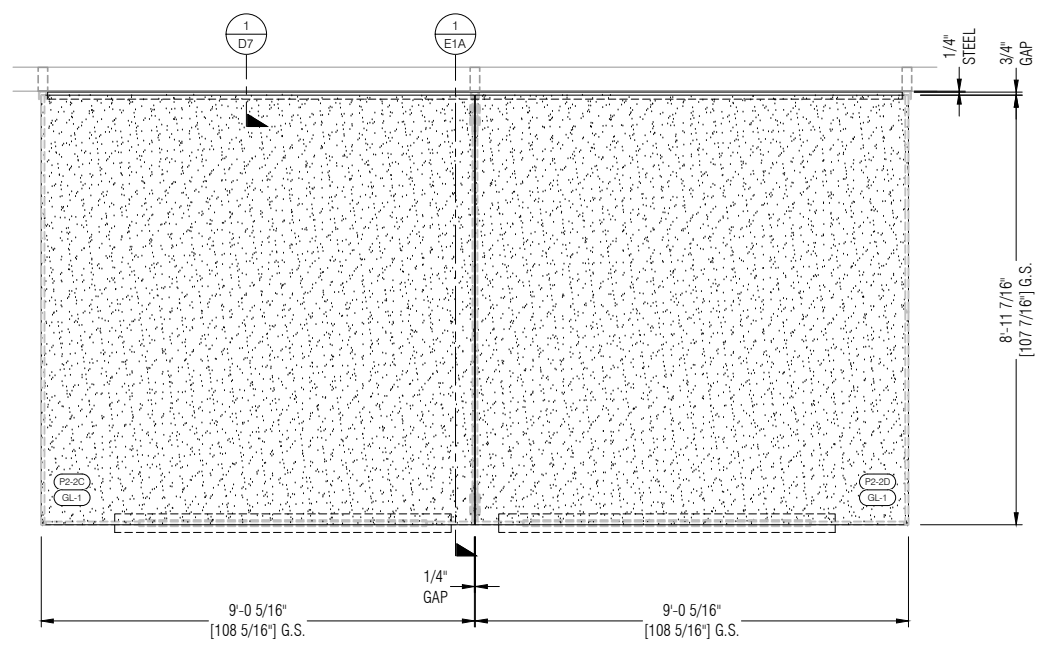
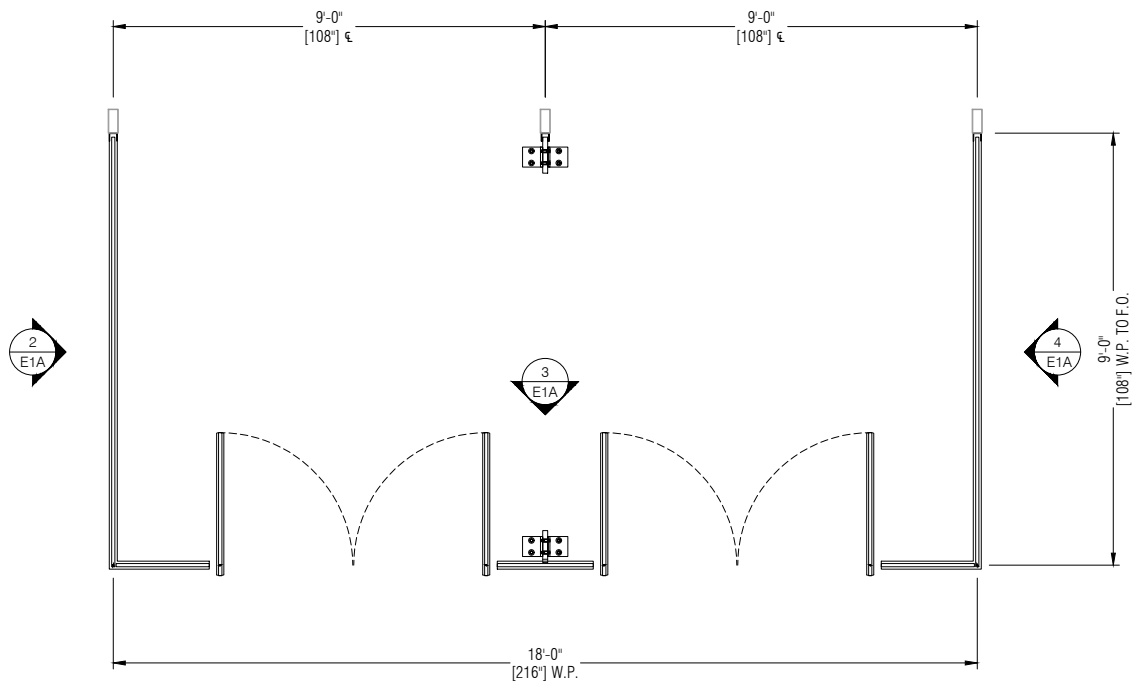
SHEET DESCRIPTION:
COVER SHEET

SHEET:
C1



GLASS+
METAL
CRAFT

PROPRIETARY NOTICE:
THIS DRAWING SHEET AND CONTENTS HEREIN ARE PROPERTY OF GLASS AND METAL CRAFT AND ITS CUSTOMERS. USE OF THESE DRAWINGS, ITS CONTENT AND DESIGN CONCEPTS ARE INTENDED FOR THE USE OF THE INTENDED RECIPIENT. GLASS AND METAL CRAFT AND ITS CUSTOMERS ARE NOT RESPONSIBLE FOR USE BY OTHER PARTIES.



SUBMITTED FOR PRELIMINARY REVIEW. FOR DESIGN REPRESENTATION ONLY. THIS SUBMITTAL HAS NOT BEEN ENGINEERED TO ACCOMMODATE SITE-SPECIFIC CONDITIONS FOR THIS SYSTEM.

1
P1A **VESTIBULE 2 FLOOR PLAN**
DRAWING SCALE:
24x36: 1/2" = 1'-0"
11x17: 1/4" = 1'-0"

2
P1A **VESTIBULE 2 ROOF PLAN**
DRAWING SCALE:
24x36: 1/2" = 1'-0"
11x17: 1/4" = 1'-0"

REVISION	DATE
SI	XX.XX.XX
1	-
2	-
3	-
4	-

DRAWN BY: AL DATE: XX.XX.XX

ARCHITECT:
ARCHITECTURE FIRM NAME

GMC SYSTEM TYPE:
OSTIUM VESTIBULES - TYPE 2

PROJECT NAME:
PROJECT NAME

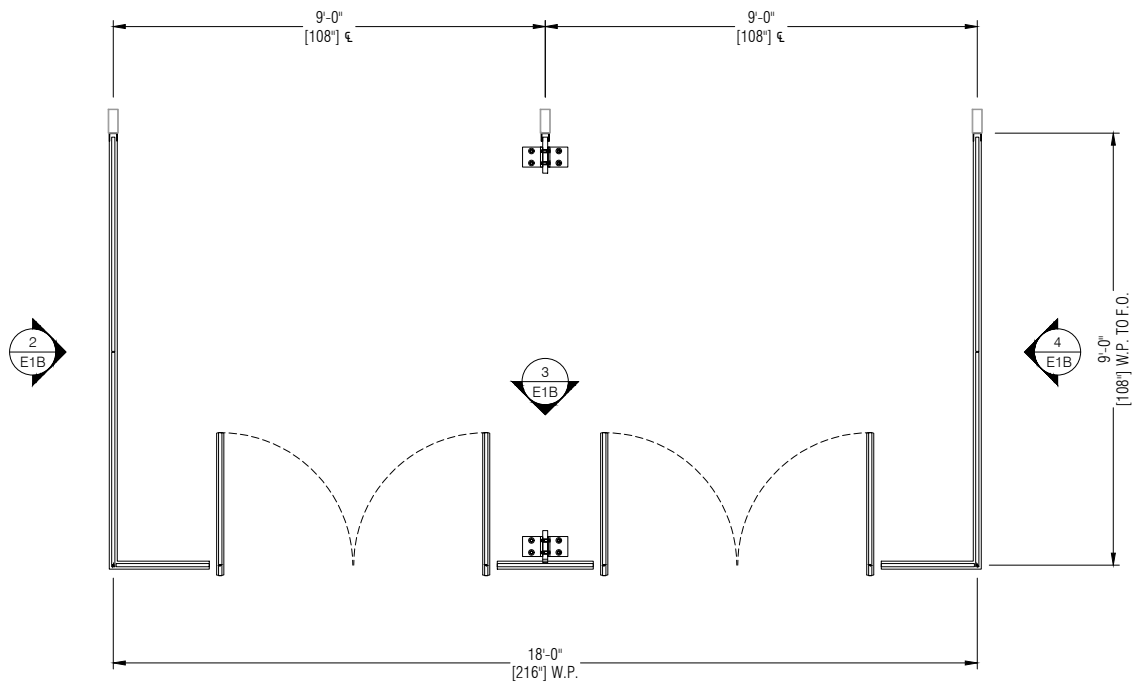
SHEET DESCRIPTION:
PLANS

SHEET:
P1A

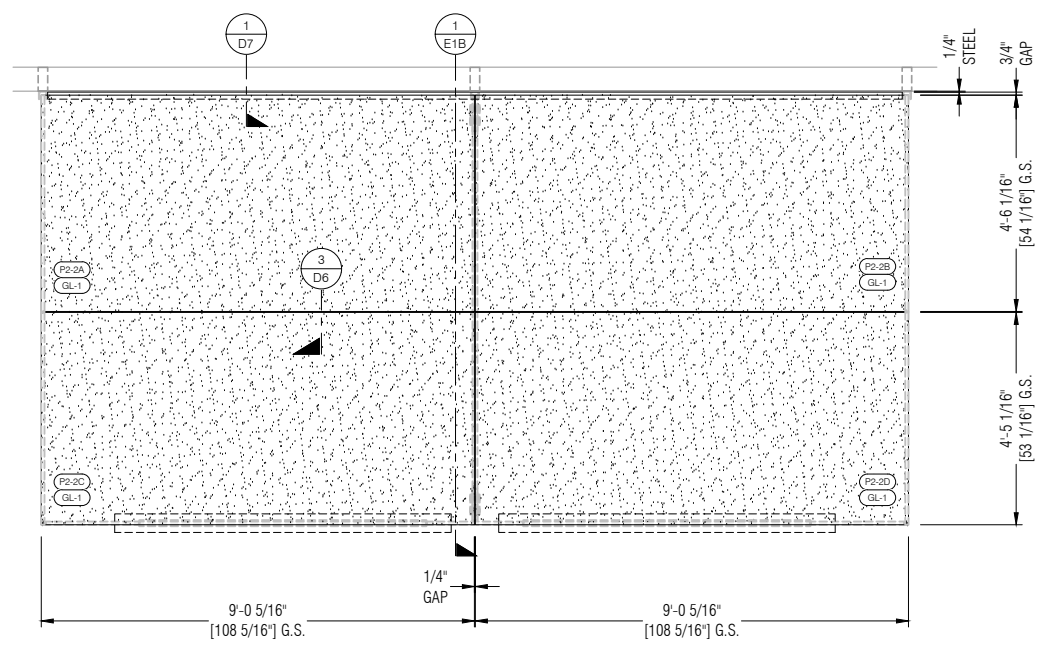


**GLASS+
METAL
CRAFT**

PROPRIETARY NOTICE:
THIS DRAWING SHEET AND CONTENTS HEREIN ARE PROPERTY OF GLASS AND METAL CRAFT AND ITS CUSTOMERS. USE OF THESE DRAWINGS, ITS CONTENT AND DESIGN CONCEPTS ARE INTENDED FOR THE USE OF THE INTENDED RECIPIENT. GLASS AND METAL CRAFT AND ITS CUSTOMERS ARE NOT RESPONSIBLE FOR USE BY OTHER PARTIES.



1 VESTIBULE 2 FLOOR PLAN
P1B DRAWING SCALE:
24x36: 1/2" = 1'-0"
11x17: 1/4" = 1'-0"



2 VESTIBULE 2 ROOF PLAN
P1B DRAWING SCALE:
24x36: 1/2" = 1'-0"
11x17: 1/4" = 1'-0"

SUBMITTED FOR PRELIMINARY REVIEW. FOR DESIGN REPRESENTATION ONLY. THIS SUBMITTAL HAS NOT BEEN ENGINEERED TO ACCOMMODATE SITE-SPECIFIC CONDITIONS FOR THIS SYSTEM.

REVISION	DATE
SI	XX.XX.XX
1	-
2	-
3	-
4	-

DRAWN BY: AL DATE: XX.XX.XX

ARCHITECT: ARCHITECTURE FIRM NAME

GMC SYSTEM TYPE: OSTIUM VESTIBULES - TYPE 2

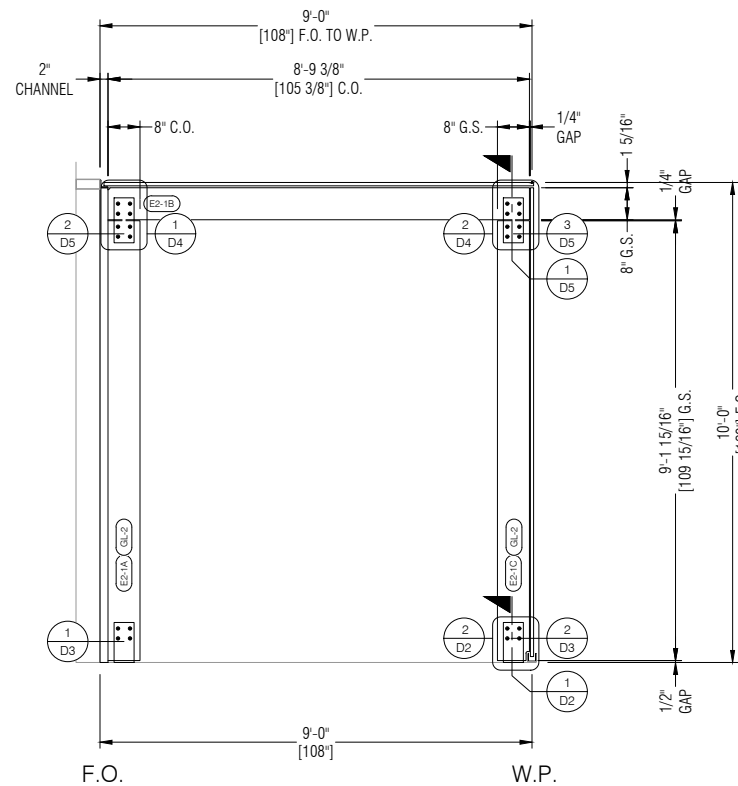
PROJECT NAME: PROJECT NAME

SHEET DESCRIPTION: PLANS

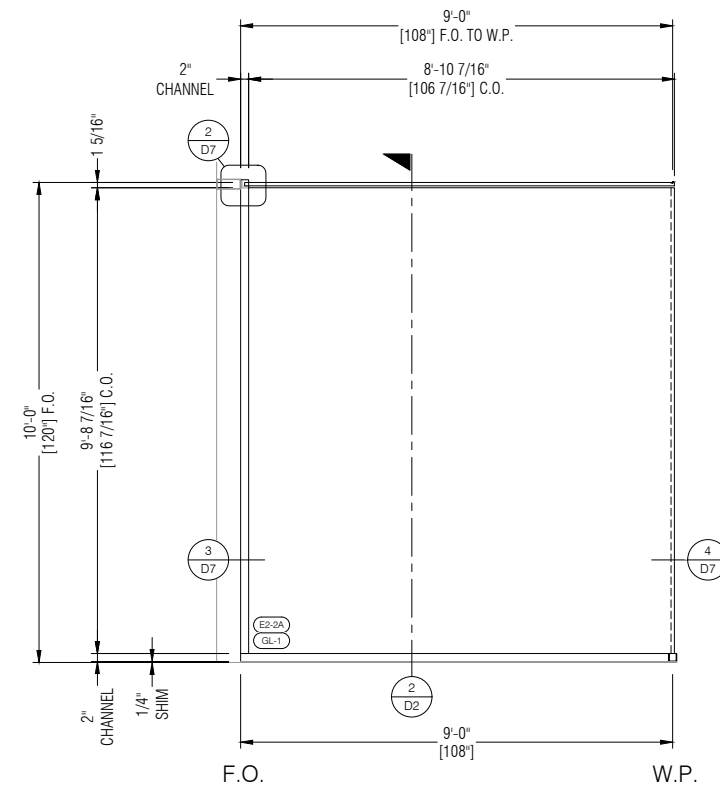
SHEET: **P1B**



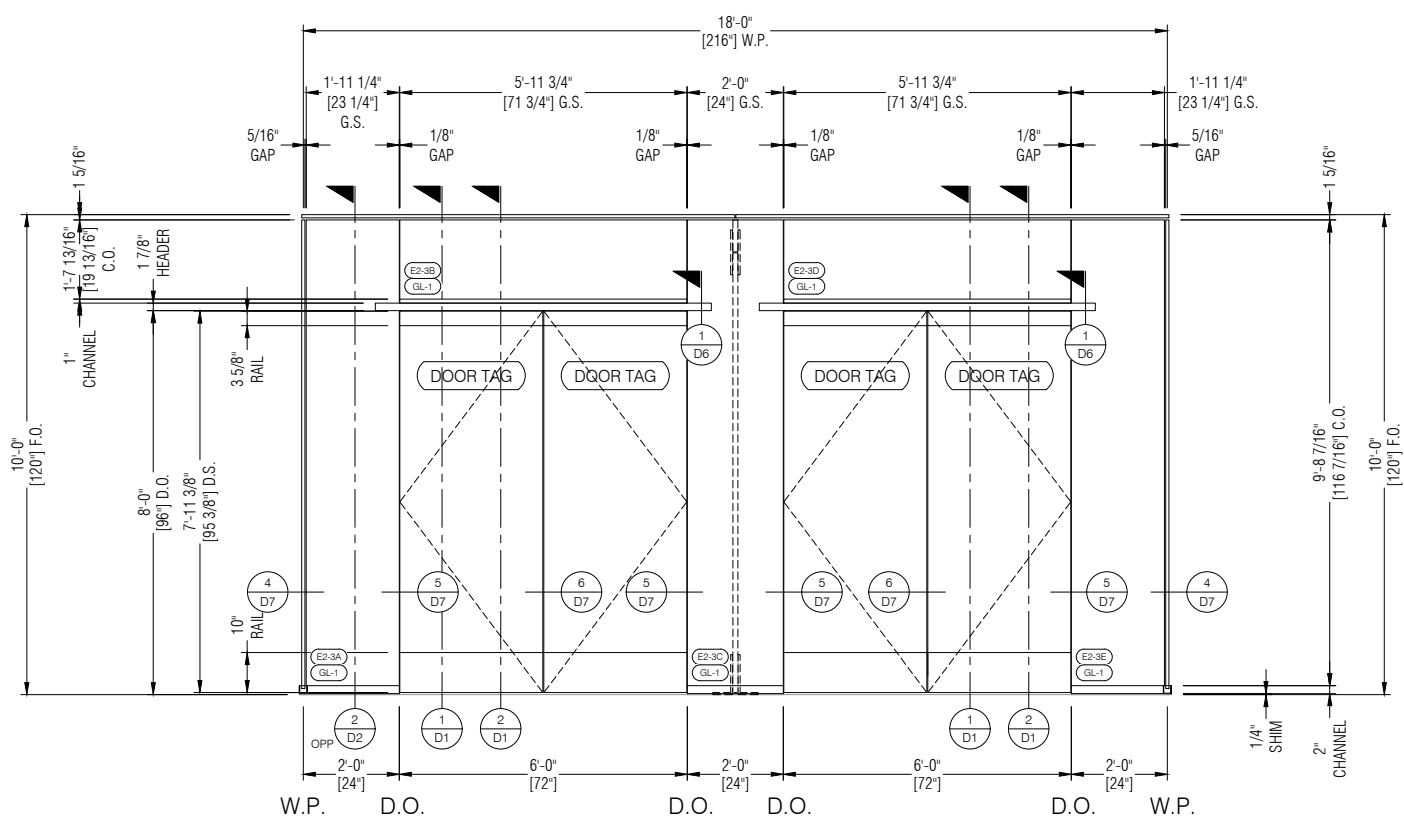
PROPRIETARY NOTICE:
 THIS DRAWING SHEET AND CONTENTS HEREIN ARE PROPERTY OF GLASS AND METAL CRAFT AND ITS CUSTOMERS. USE OF THESE DRAWINGS, ITS CONTENT AND DESIGN CONCEPTS ARE INTENDED FOR THE USE OF THE INTENDED RECIPIENT. GLASS AND METAL CRAFT AND ITS CUSTOMERS ARE NOT RESPONSIBLE FOR USE BY OTHER PARTIES.



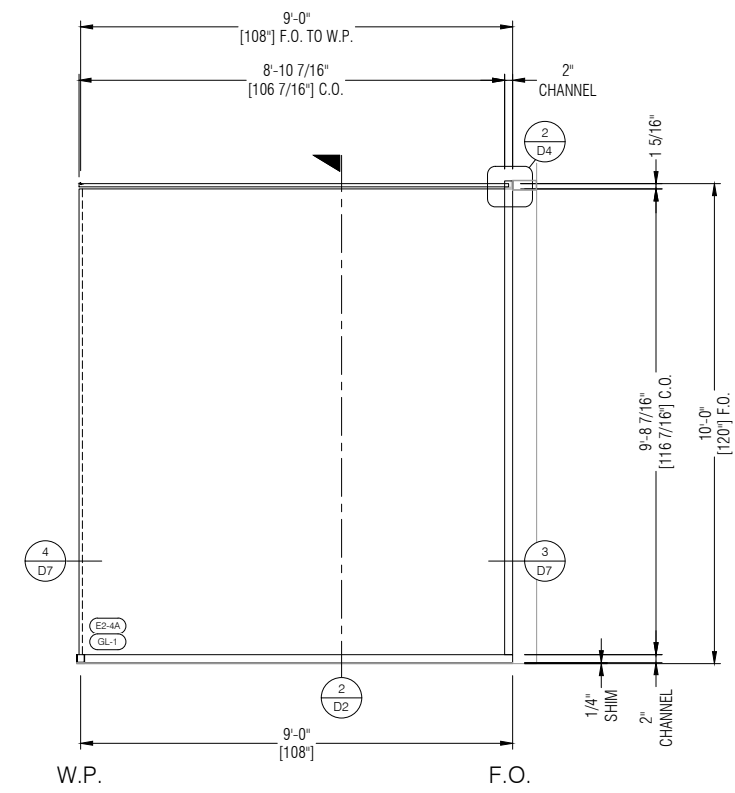
1 SECTION THRU VESTIBULE 2
 E1A DRAWING SCALE:
 24x36: 1/2" = 1'-0"
 11x17: 1/4" = 1'-0"
 REF: 2/P1A



2 ELEVATION AT RETURN
 E1A DRAWING SCALE:
 24x36: 1/2" = 1'-0"
 11x17: 1/4" = 1'-0"
 REF: 1/P1A



3 ELEVATION AT VESTIBULE 2
 E1A DRAWING SCALE:
 24x36: 1/2" = 1'-0"
 11x17: 1/4" = 1'-0"
 REF: 1/P1A



4 ELEVATION AT RETURN
 E1A DRAWING SCALE:
 24x36: 1/2" = 1'-0"
 11x17: 1/4" = 1'-0"
 REF: 1/P1A

SUBMITTED FOR PRELIMINARY REVIEW. FOR DESIGN REPRESENTATION ONLY. THIS SUBMITTAL HAS NOT BEEN ENGINEERED TO ACCOMMODATE SITE-SPECIFIC CONDITIONS FOR THIS SYSTEM.

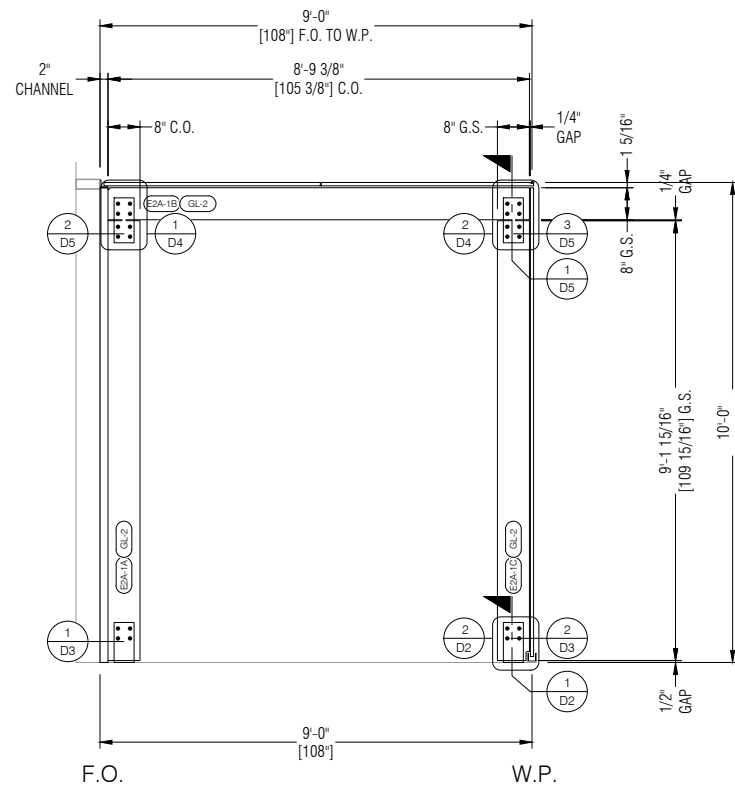
REVISION	DATE
SI	XX.XX.XX
1	-
2	-
3	-
4	-
DRAWN BY:	DATE:
AL	XX.XX.XX
ARCHITECT:	
ARCHITECTURE FIRM NAME	
GMC SYSTEM TYPE:	
OSTIUM VESTIBULES - TYPE 2	
PROJECT NAME:	
PROJECT NAME	
SHEET DESCRIPTION:	
ELEVATIONS	

SHEET:
E1A

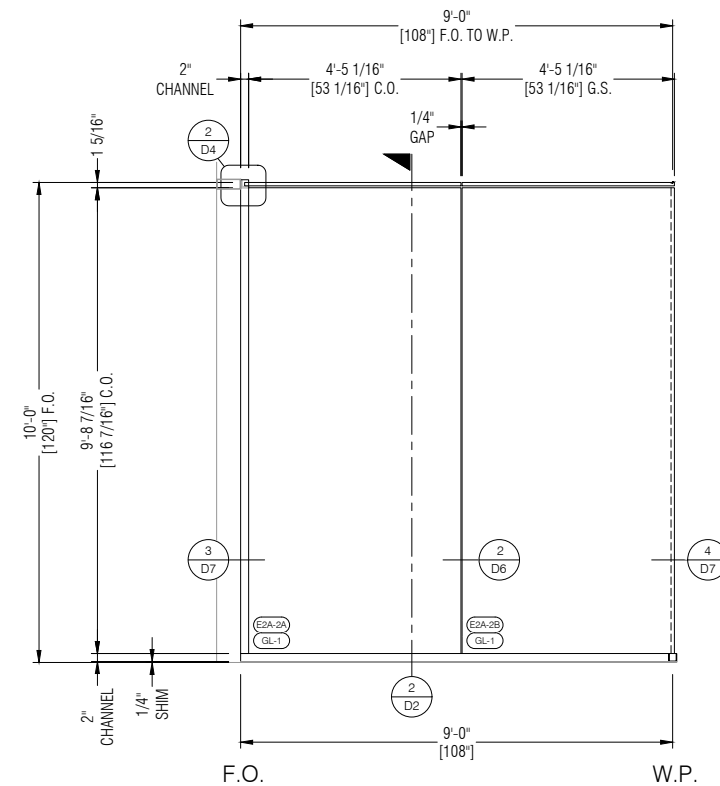


**GLASS+
METAL
CRAFT**

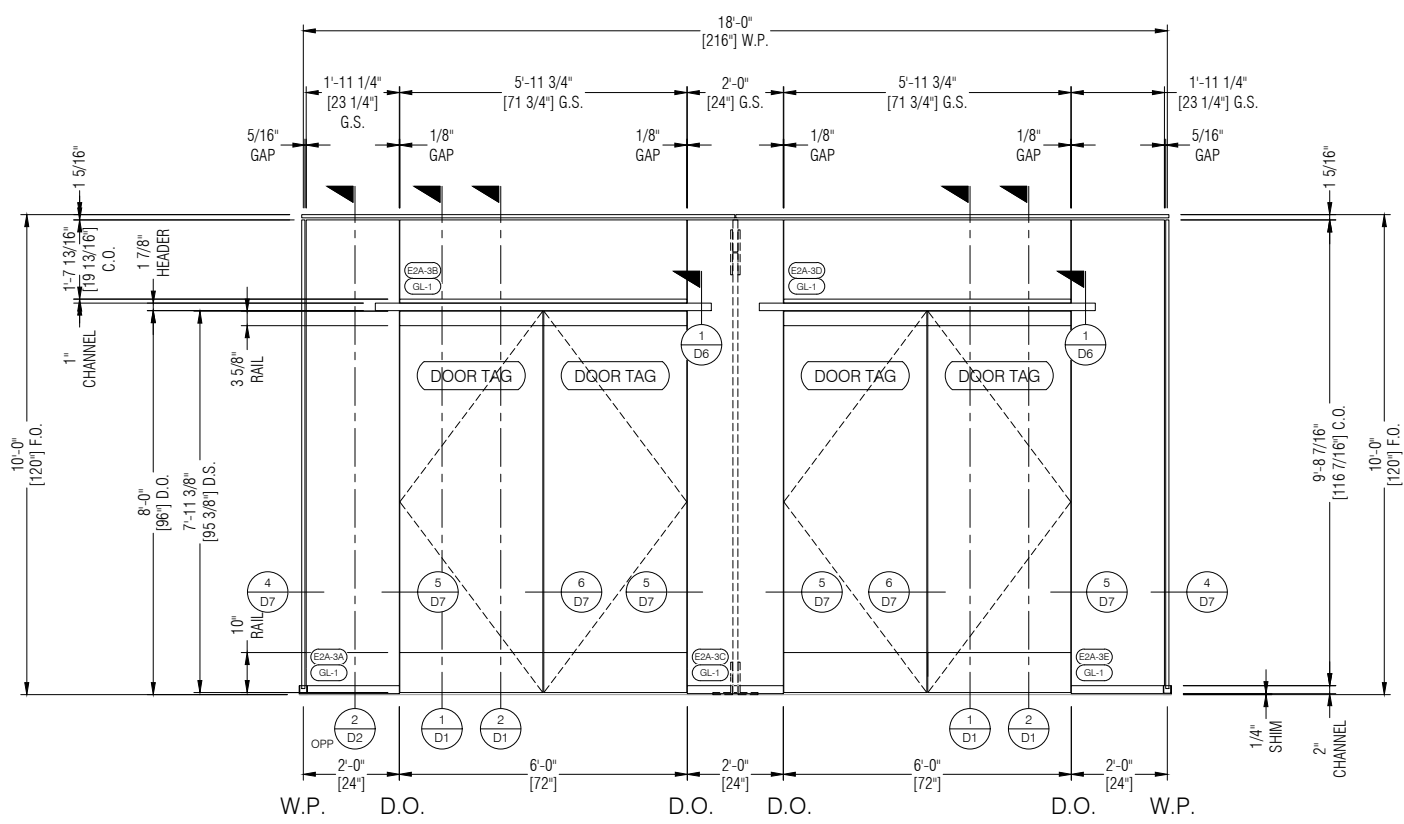
PROPRIETARY NOTICE:
THIS DRAWING SHEET AND CONTENTS HEREIN ARE PROPERTY OF GLASS AND METAL CRAFT AND ITS CUSTOMERS. USE OF THESE DRAWINGS, ITS CONTENT AND DESIGN CONCEPTS ARE INTENDED FOR THE USE OF THE INTENDED RECIPIENT. GLASS AND METAL CRAFT AND ITS CUSTOMERS ARE NOT RESPONSIBLE FOR USE BY OTHER PARTIES.



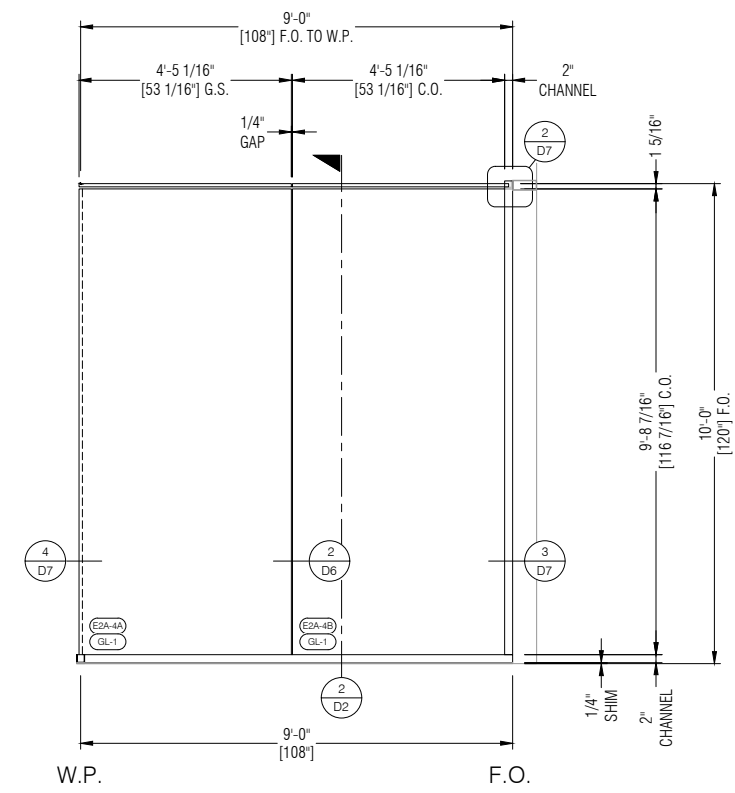
1 SECTION THRU VESTIBULE 2A
E1B DRAWING SCALE:
24x36: 1/2" = 1'-0"
11x17: 1/4" = 1'-0"
REF: 2/P1B



2 ELEVATION AT RETURN
E1B DRAWING SCALE:
24x36: 1/2" = 1'-0"
11x17: 1/4" = 1'-0"
REF: 1/P1B



3 ELEVATION AT VESTIBULE 2A
E1B DRAWING SCALE:
24x36: 1/2" = 1'-0"
11x17: 1/4" = 1'-0"
REF: 1/P1B



4 ELEVATION AT RETURN
E1B DRAWING SCALE:
24x36: 1/2" = 1'-0"
11x17: 1/4" = 1'-0"
REF: 1/P1B

SUBMITTED FOR
PRELIMINARY REVIEW. FOR
DESIGN REPRESENTATION
ONLY. THIS SUBMITTAL HAS
NOT BEEN ENGINEERED TO
ACCOMMODATE
SITE-SPECIFIC CONDITIONS
FOR THIS SYSTEM.

REVISION	DATE
SI	XX.XX.XX
1	-
2	-
3	-
4	-

DRAWN BY: AL DATE: XX.XX.XX

ARCHITECT: ARCHITECTURE FIRM NAME

GMC SYSTEM TYPE:

OSTIUM VESTIBULES - TYPE 2

PROJECT NAME:

PROJECT NAME

SHEET DESCRIPTION:

ELEVATIONS

SHEET:

E1B



**GLASS+
METAL
CRAFT**

PROPRIETARY NOTICE:
THIS DRAWING SHEET AND CONTENTS HEREIN ARE PROPERTY OF GLASS AND METAL CRAFT AND ITS CUSTOMERS. USE OF THESE DRAWINGS, ITS CONTENT AND DESIGN CONCEPTS ARE INTENDED FOR THE USE OF THE INTENDED RECIPIENT. GLASS AND METAL CRAFT AND ITS CUSTOMERS ARE NOT RESPONSIBLE FOR USE BY OTHER PARTIES.

SUBMITTED FOR
PRELIMINARY REVIEW. FOR
DESIGN REPRESENTATION
ONLY. THIS SUBMITTAL HAS
NOT BEEN ENGINEERED TO
ACCOMMODATE
SITE-SPECIFIC CONDITIONS
FOR THIS SYSTEM.

REVISION	DATE
SI	XX.XX.XX
1	-
2	-
3	-
4	-

DRAWN BY: AL DATE: XX.XX.XX

ARCHITECT:
ARCHITECTURE FIRM NAME

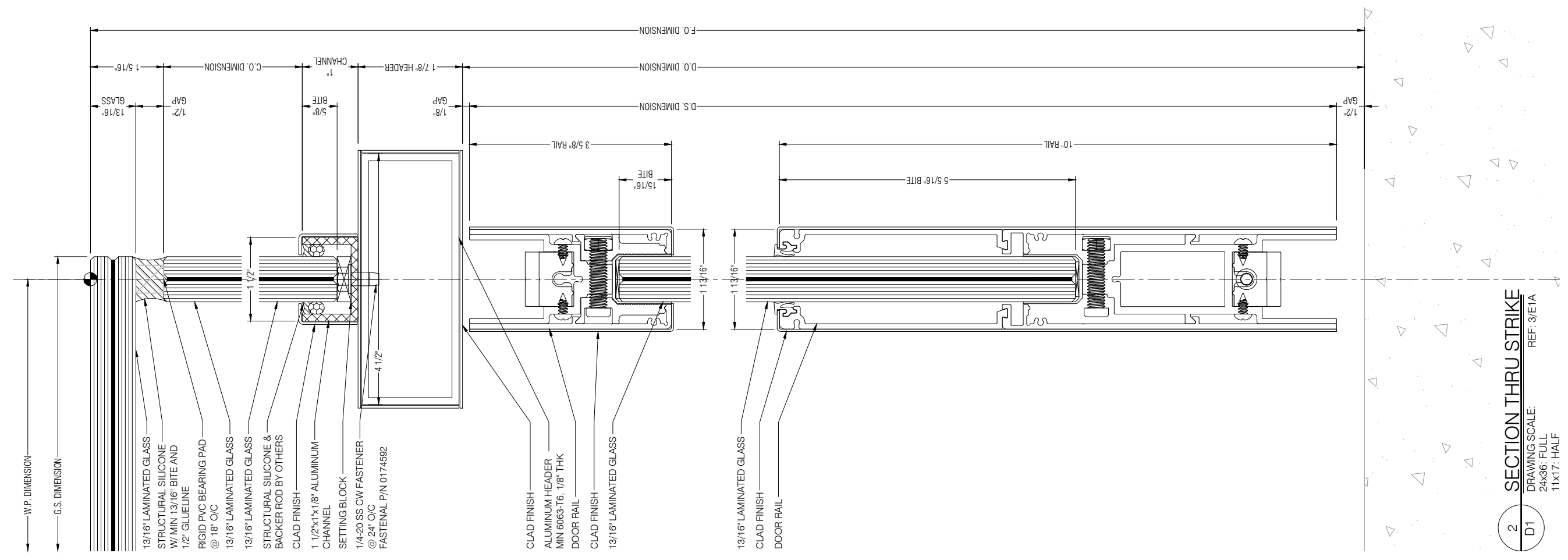
GMC SYSTEM TYPE:
OSTIUM VESTIBULES - TYPE 2

PROJECT NAME:
PROJECT NAME

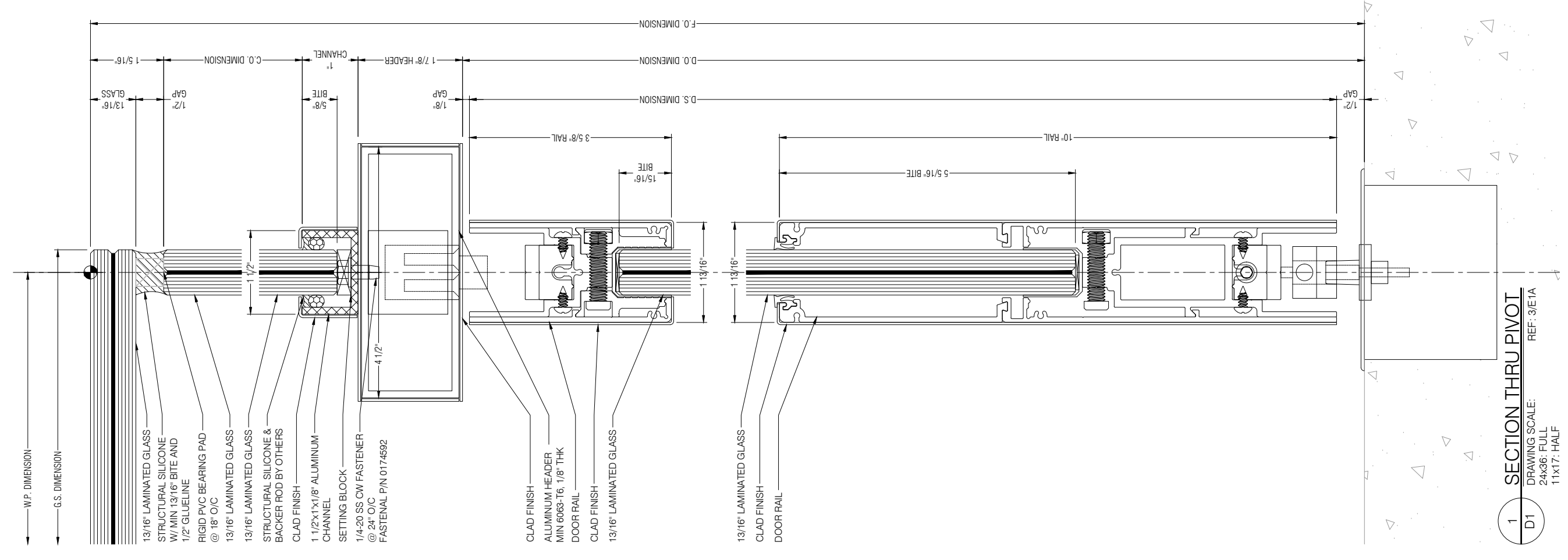
PROJECT NAME

SHEET DESCRIPTION:
DETAILS

SHEET:
D1



2 SECTION THRU STRIKE
D1
DRAWING SCALE: REF: 3/E1A
24x36: FULL
11x17: HALF

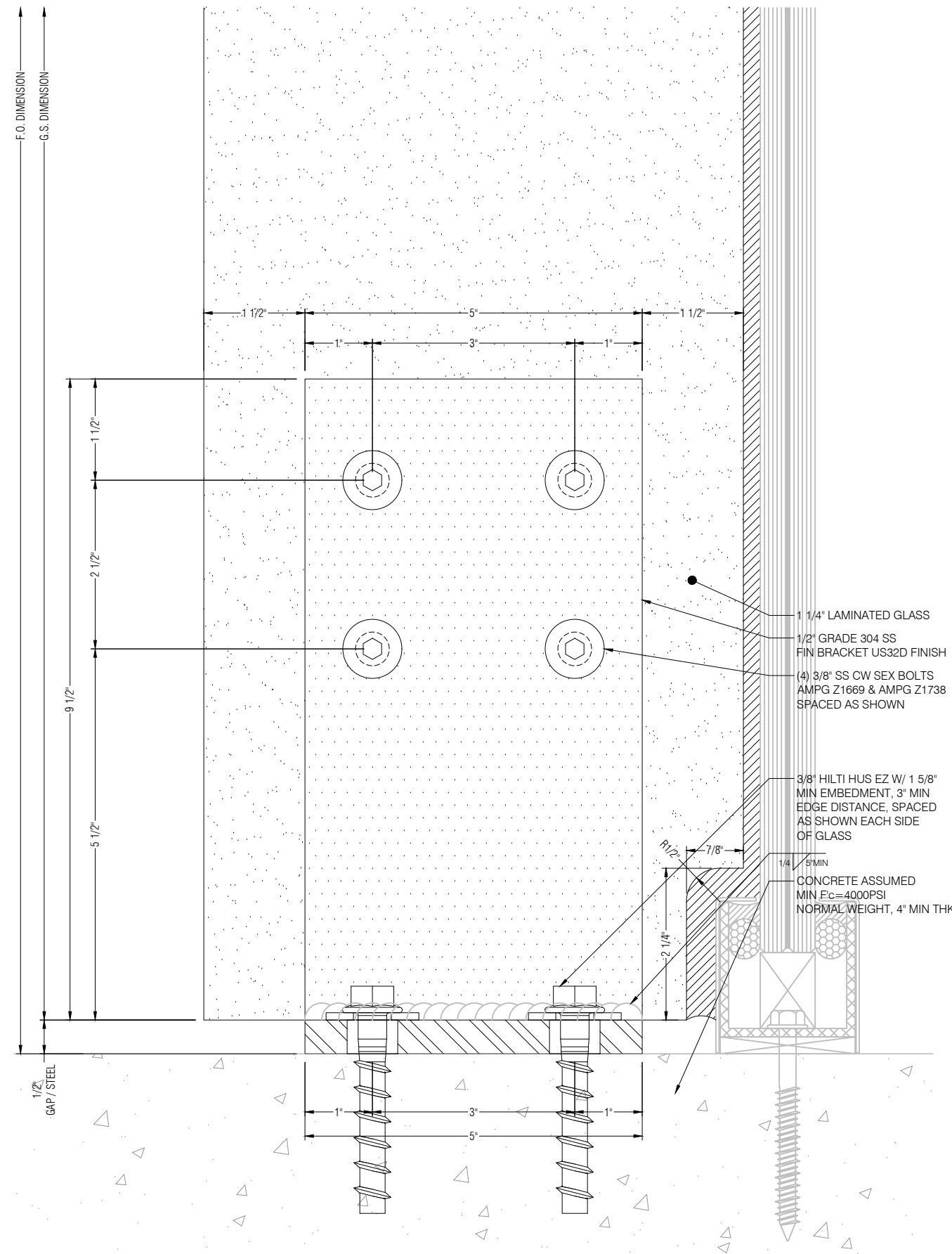
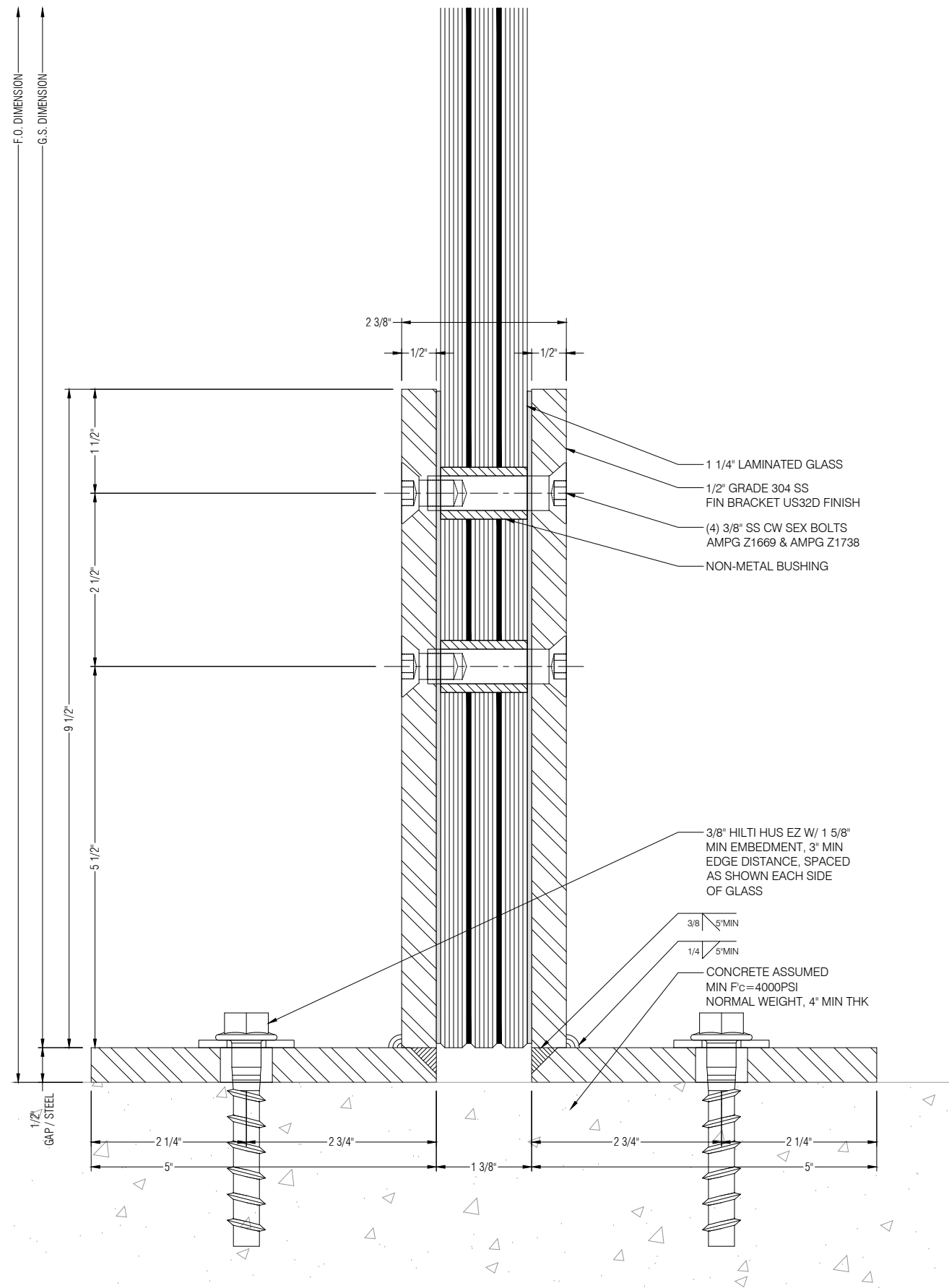


1 SECTION THRU PIVOT
D1
DRAWING SCALE: REF: 3/E1A
24x36: FULL
11x17: HALF



GLASS+
METAL
CRAFT

PROPRIETARY NOTICE:
THIS DRAWING SHEET AND CONTENTS HEREIN ARE PROPERTY OF GLASS AND METAL CRAFT AND ITS CUSTOMERS. USE OF THESE DRAWINGS, ITS CONTENT AND DESIGN CONCEPTS ARE INTENDED FOR THE USE OF THE INTENDED RECIPIENT. GLASS AND METAL CRAFT AND ITS CUSTOMERS ARE NOT RESPONSIBLE FOR USE BY OTHER PARTIES.



SUBMITTED FOR PRELIMINARY REVIEW. FOR DESIGN REPRESENTATION ONLY. THIS SUBMITTAL HAS NOT BEEN ENGINEERED TO ACCOMMODATE SITE-SPECIFIC CONDITIONS FOR THIS SYSTEM.

1 SECTION THRU VERTICAL FIN BASE
D2 DRAWING SCALE: REF: 1/E1A
24x36: FULL
11x17: HALF

2 VERTICAL FIN BASE
D2 DRAWING SCALE: REF: 1/E1A
24x36: FULL
11x17: HALF

REVISION	DATE
SI	XX.XX.XX
1	-
2	-
3	-
4	-

DRAWN BY: AL DATE: XX.XX.XX

ARCHITECT: ARCHITECTURE FIRM NAME

GMC SYSTEM TYPE: OSTIUM VESTIBULES - TYPE 2

PROJECT NAME: PROJECT NAME

SHEET DESCRIPTION: DETAILS

SHEET: D2



GLASS+
METAL
CRAFT

PROPRIETARY NOTICE:
THIS DRAWING SHEET AND CONTENTS HEREIN ARE PROPERTY OF GLASS AND METAL CRAFT AND ITS CUSTOMERS. USE OF THESE DRAWINGS, ITS CONTENT AND DESIGN CONCEPTS ARE INTENDED FOR THE USE OF THE INTENDED RECIPIENT. GLASS AND METAL CRAFT AND ITS CUSTOMERS ARE NOT RESPONSIBLE FOR USE BY OTHER PARTIES.

1/2" GRADE 304 SS
FIN BRACKET US32D FINISH

3/8" HILTI HUS EZ W/ 1 5/8"
MIN EMBEDMENT, 3" MIN
EDGE DISTANCE, SPACED
AS SHOWN EACH SIDE
OF GLASS

1/4" 5° MIN

(4) 3/8" SS CW SEX BOLTS
AMPG Z1669 & AMPG Z1738

NON-METAL BUSHING

1 1/4" LAMINATED GLASS

2x2"x1/8" ALUMINUM
CHANNEL, 6063-T6 MIN

STRUCTURAL SILICONE &
BACKER ROD

CLAD FINISH

CW MULLION MIN
6063-T6 1/8" THK WALL

1/4"-20 DRILFLEX
@ 18" O/C, FULLY
ENGAGED IN MULLION

1/2" GRADE 304 SS
FIN BRACKET US32D FINISH

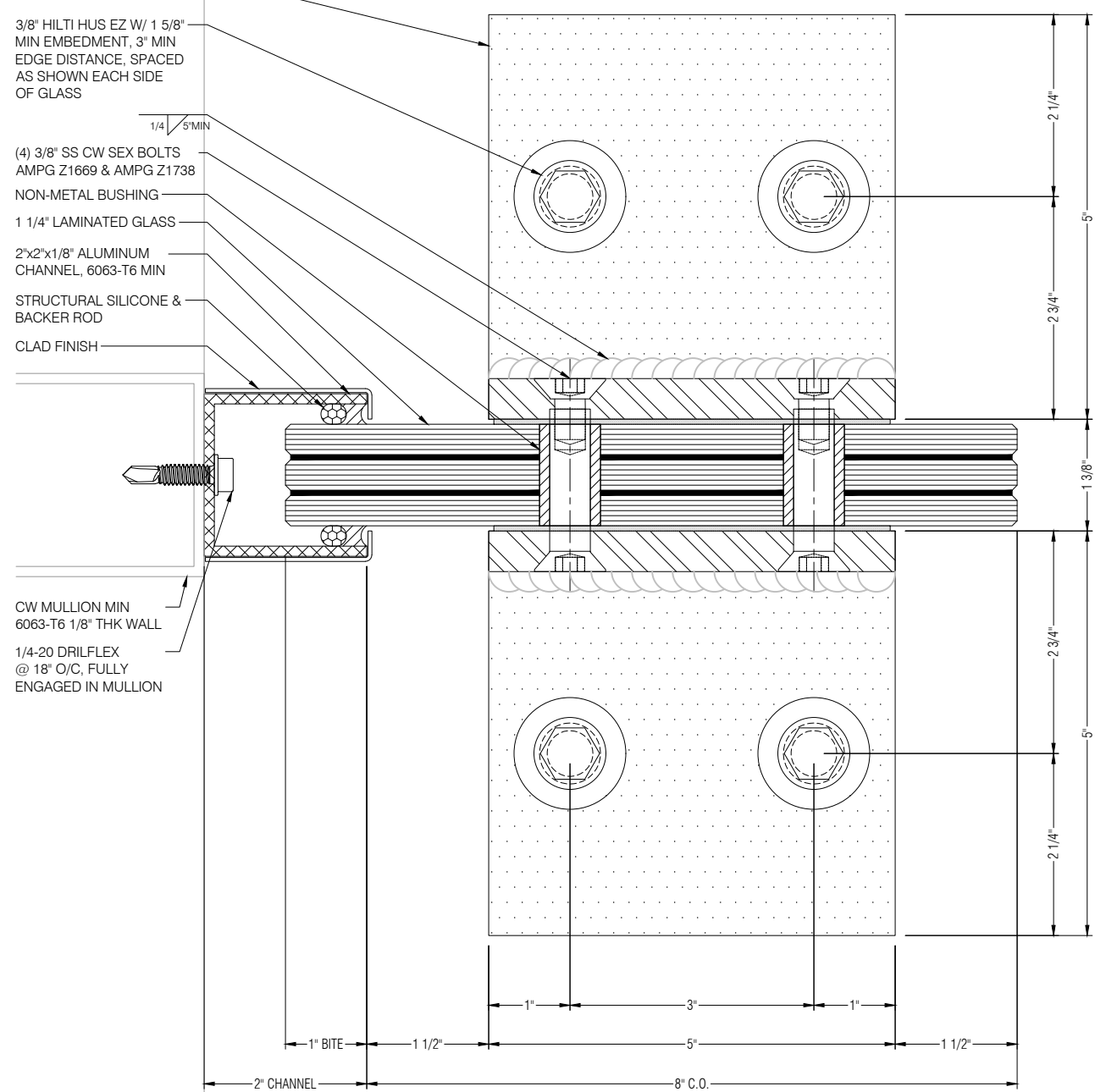
3/8" HILTI HUS EZ W/ 1 5/8"
MIN EMBEDMENT, 3" MIN
EDGE DISTANCE, SPACED
AS SHOWN EACH SIDE
OF GLASS

1/4" 5° MIN

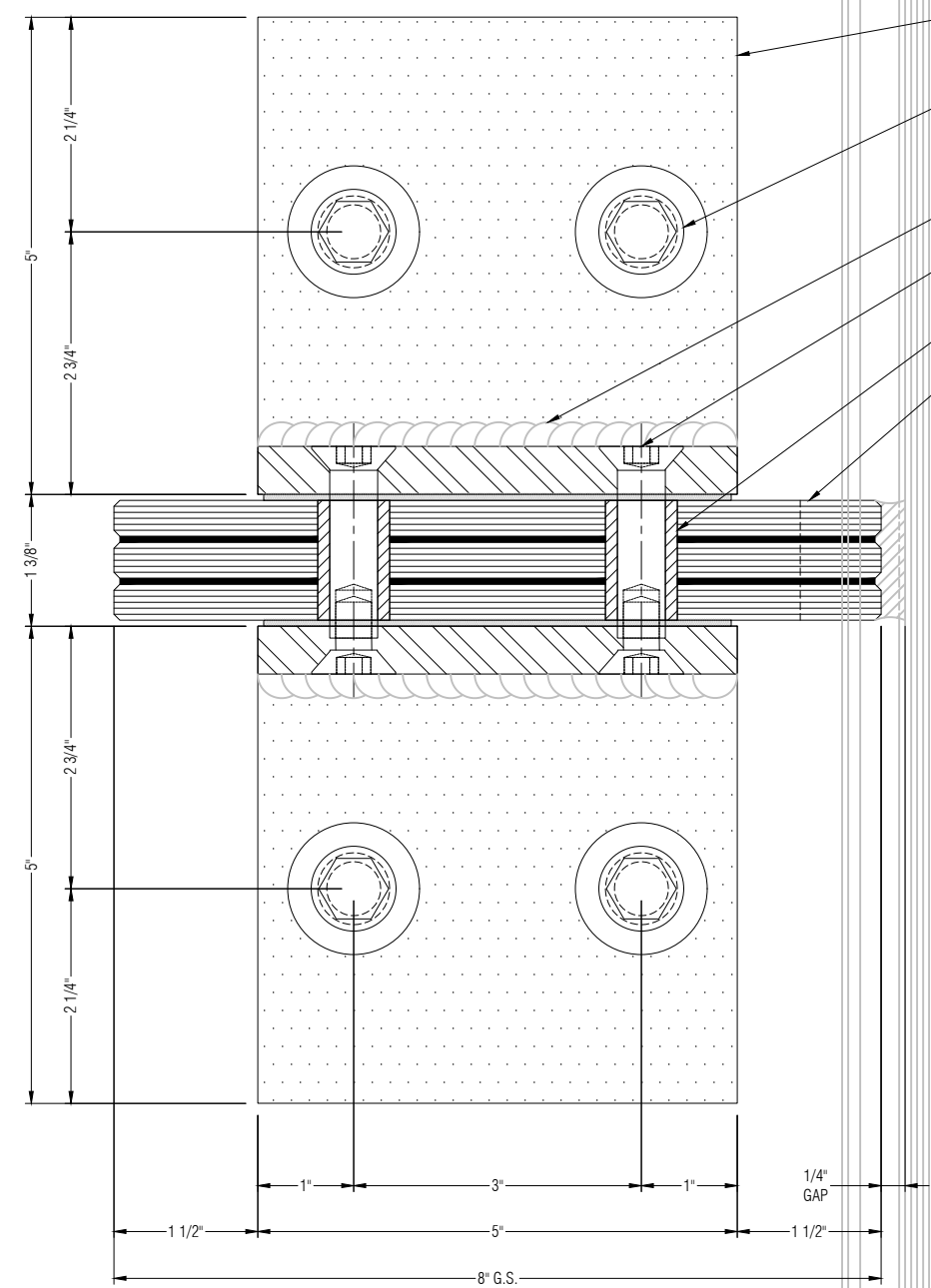
(4) 3/8" SS CW SEX BOLTS
AMPG Z1669 & AMPG Z1738

NON-METAL BUSHING

1 1/4" LAMINATED GLASS



1 PLAN AT EXTERIOR VERTICAL FIN BASE
D3 DRAWING SCALE: 24x36: FULL 11x17: HALF REF: 1/E1A



2 PLAN AT INTERIOR VERTICAL FIN BASE
D3 DRAWING SCALE: 24x36: FULL 11x17: HALF REF: 1/E1A

SUBMITTED FOR
PRELIMINARY REVIEW. FOR
DESIGN REPRESENTATION
ONLY. THIS SUBMITTAL HAS
NOT BEEN ENGINEERED TO
ACCOMMODATE
SITE-SPECIFIC CONDITIONS
FOR THIS SYSTEM.

REVISION	DATE
SI	XX.XX.XX
1	-
2	-
3	-
4	-

DRAWN BY: AL DATE: XX.XX.XX

ARCHITECT:
ARCHITECTURE FIRM NAME

GMC SYSTEM TYPE:

OSTIUM VESTIBULES - TYPE 2

PROJECT NAME:
PROJECT NAME

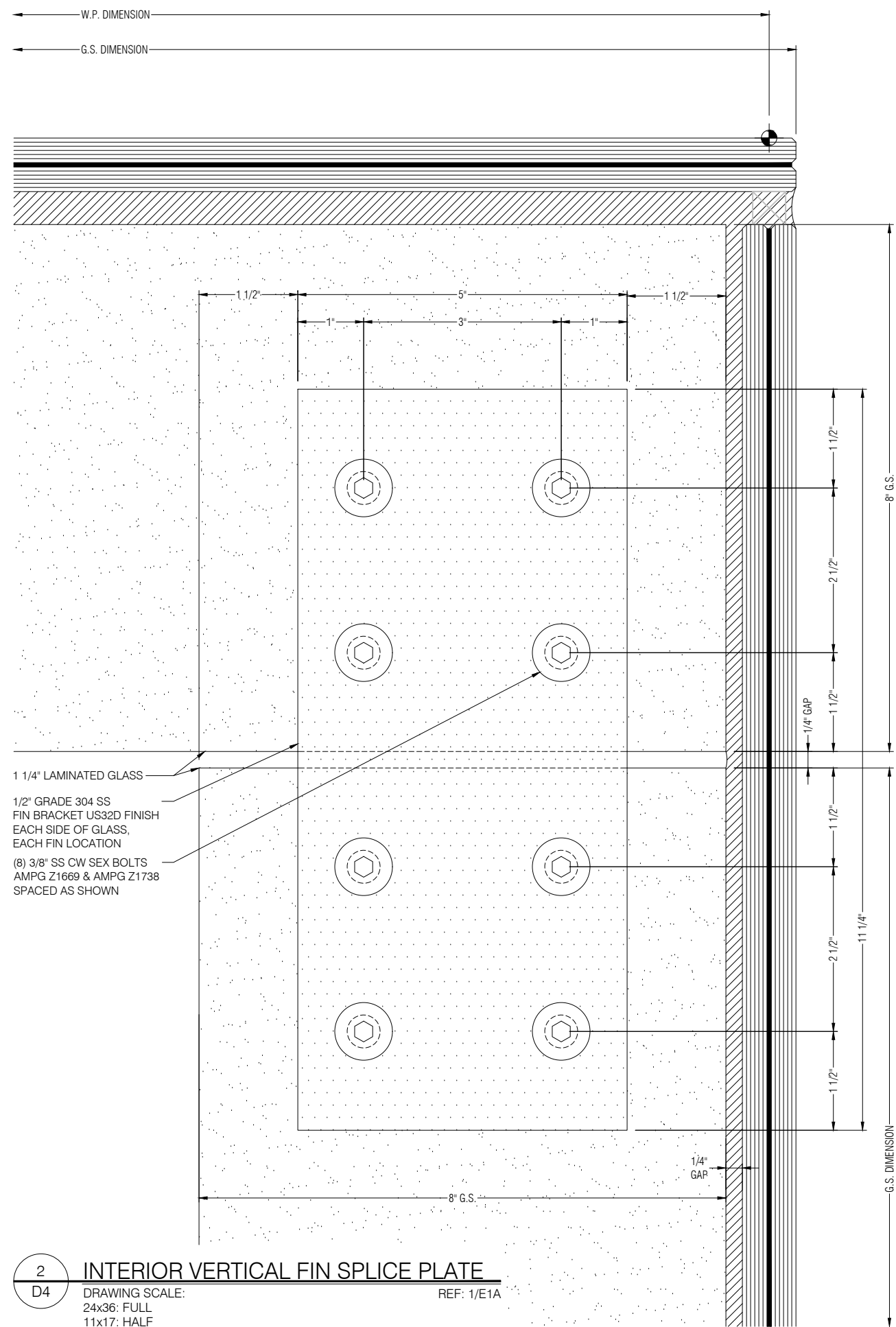
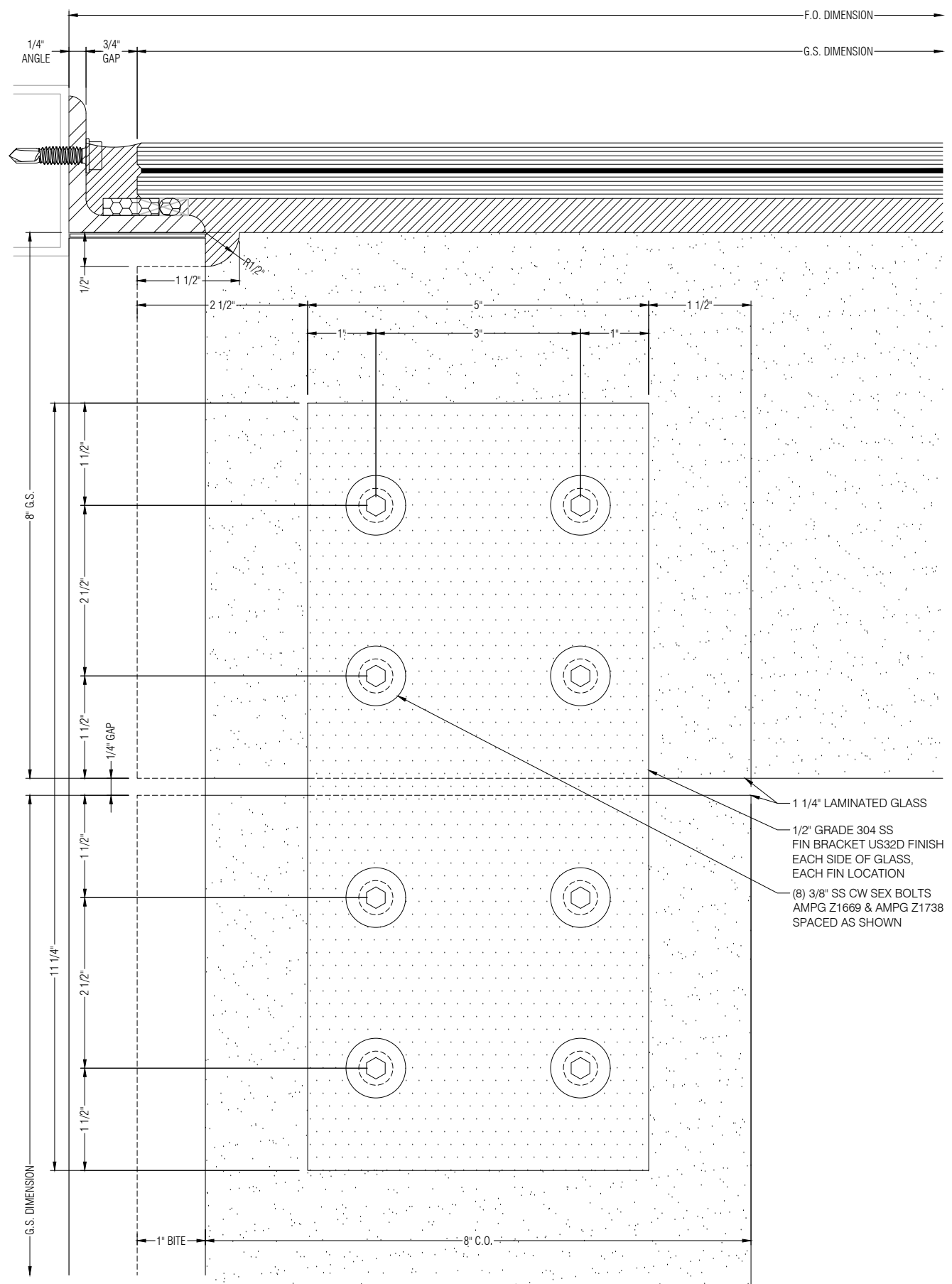
SHEET DESCRIPTION:
DETAILS

SHEET:
D3



**GLASS+
METAL
CRAFT**

PROPRIETARY NOTICE:
THIS DRAWING SHEET AND CONTENTS HEREIN ARE PROPERTY OF GLASS AND METAL CRAFT AND ITS CUSTOMERS. USE OF THESE DRAWINGS, ITS CONTENT AND DESIGN CONCEPTS ARE INTENDED FOR THE USE OF THE INTENDED RECIPIENT. GLASS AND METAL CRAFT AND ITS CUSTOMERS ARE NOT RESPONSIBLE FOR USE BY OTHER PARTIES.



1 EXTERIOR VERTICAL FIN SPLICE PLATE
D4 DRAWING SCALE: 24x36: FULL 11x17: HALF REF: 1/E1A

2 INTERIOR VERTICAL FIN SPLICE PLATE
D4 DRAWING SCALE: 24x36: FULL 11x17: HALF REF: 1/E1A

1 1/4" LAMINATED GLASS
1/2" GRADE 304 SS FIN BRACKET US32D FINISH EACH SIDE OF GLASS, EACH FIN LOCATION
(8) 3/8" SS CW SEX BOLTS AMPG Z1669 & AMPG Z1738 SPACED AS SHOWN

1 1/4" LAMINATED GLASS
1/2" GRADE 304 SS FIN BRACKET US32D FINISH EACH SIDE OF GLASS, EACH FIN LOCATION
(8) 3/8" SS CW SEX BOLTS AMPG Z1669 & AMPG Z1738 SPACED AS SHOWN

SUBMITTED FOR PRELIMINARY REVIEW. FOR DESIGN REPRESENTATION ONLY. THIS SUBMITTAL HAS NOT BEEN ENGINEERED TO ACCOMMODATE SITE-SPECIFIC CONDITIONS FOR THIS SYSTEM.

REVISION	DATE
SI	XX.XX.XX
1	-
2	-
3	-
4	-

DRAWN BY: AL DATE: XX.XX.XX

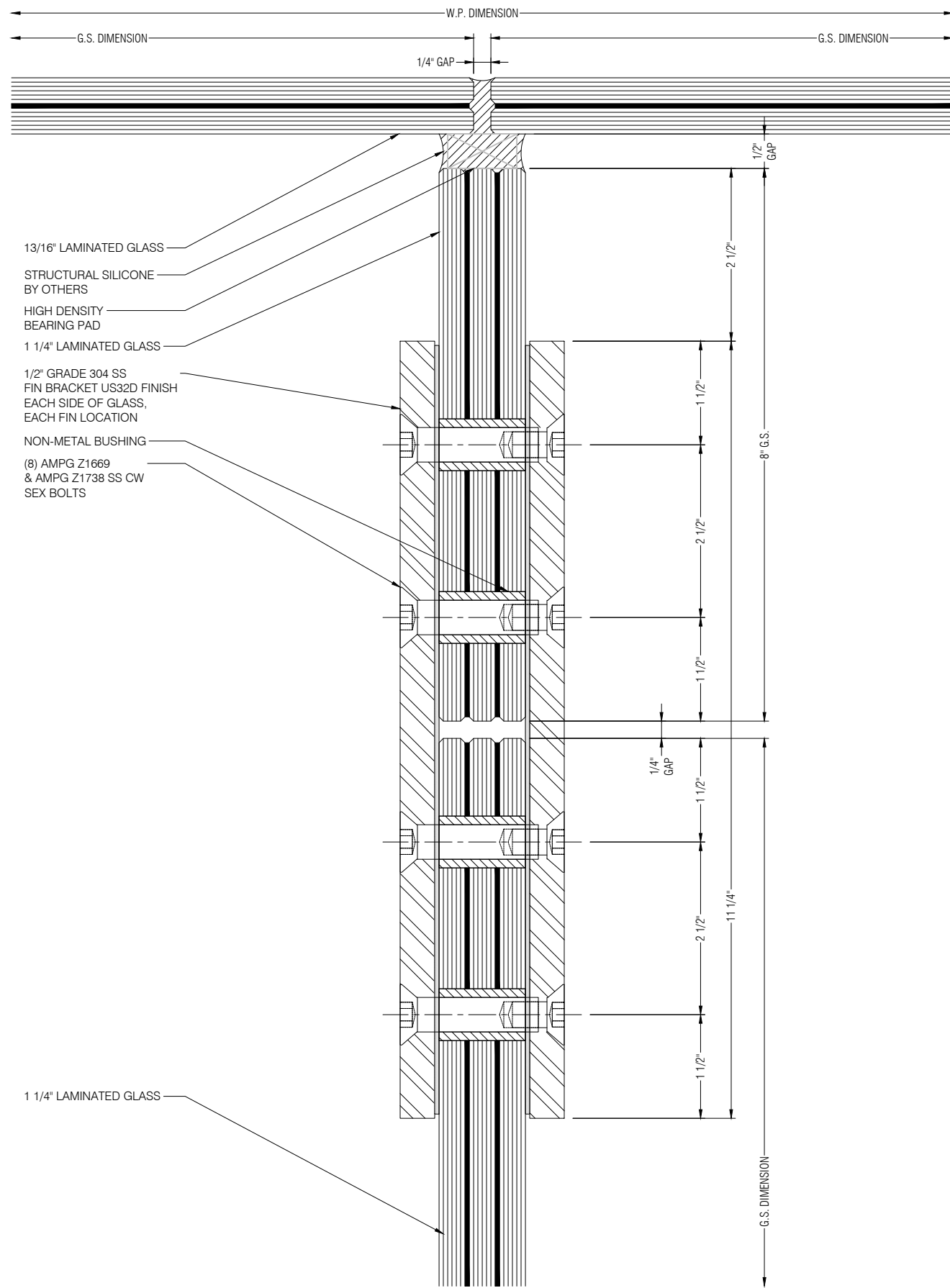
ARCHITECT: ARCHITECTURE FIRM NAME

GMC SYSTEM TYPE: OSTIUM VESTIBULES - TYPE 2

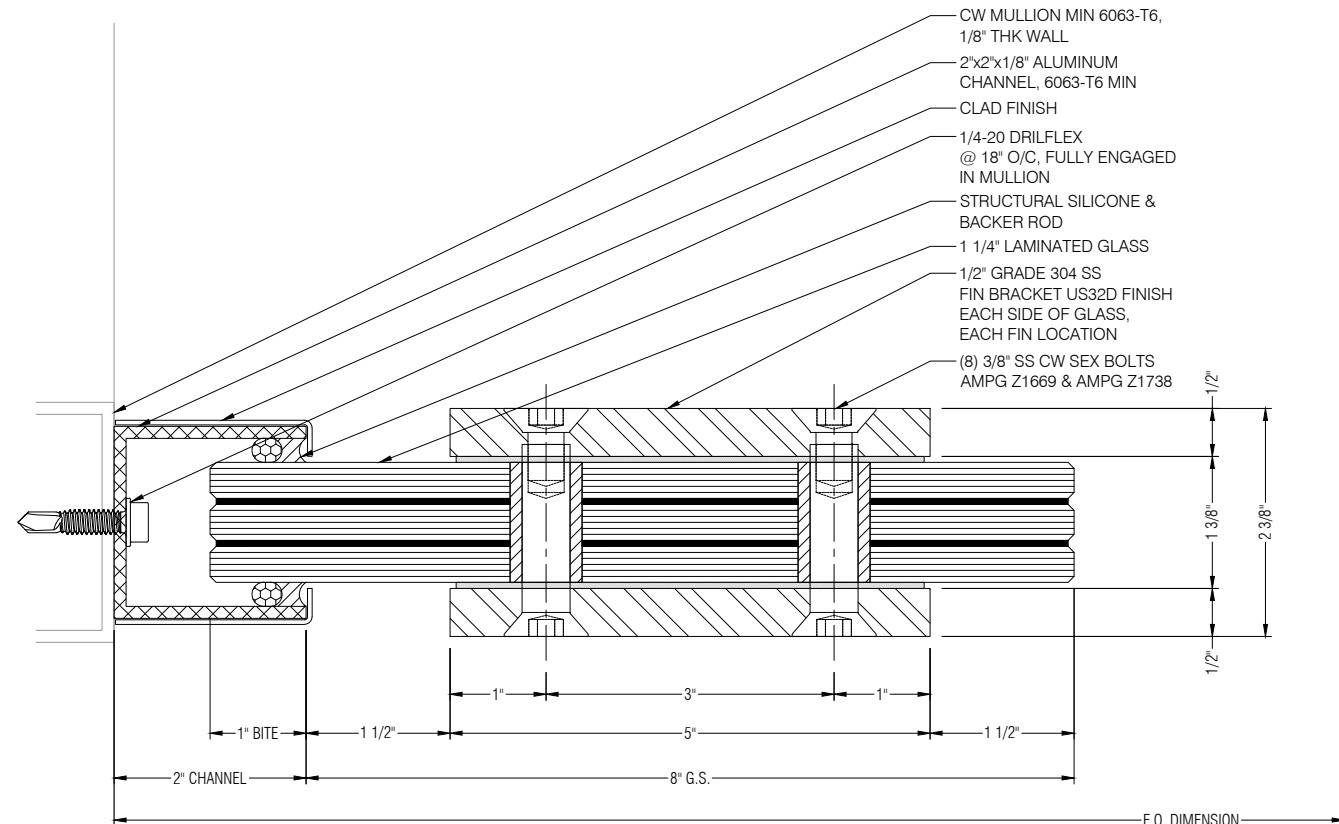
PROJECT NAME: PROJECT NAME

SHEET DESCRIPTION: DETAILS

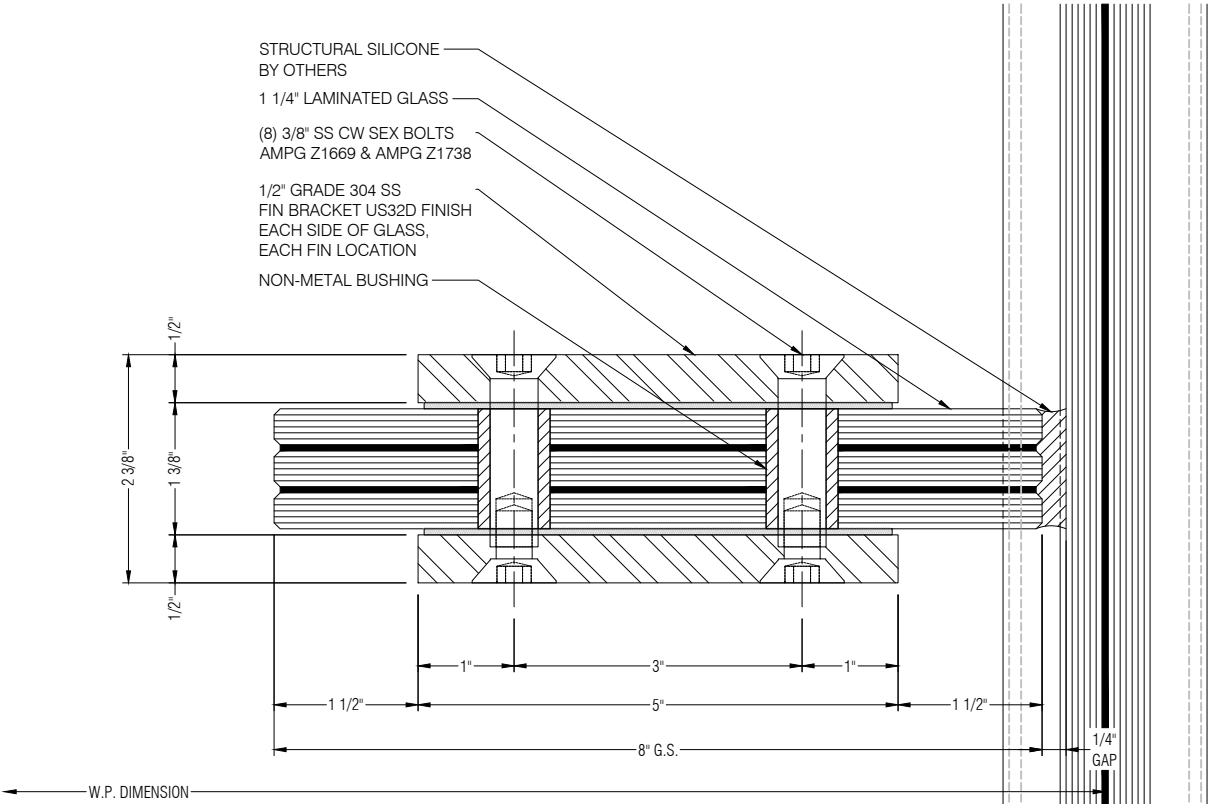
SHEET: D4



1 SECTION THRU VERTICAL FIN SPLICE PLATE
 D5 DRAWING SCALE: 24x36: FULL 11x17: HALF REF: 1/E1A



2 PLAN AT EXTERIOR VERTICAL FIN SPLICE PLATE
 D5 DRAWING SCALE: 24x36: FULL 11x17: HALF REF: 1/E1A



3 PLAN AT INTERIOR VERTICAL FIN SPLICE PLATE
 D5 DRAWING SCALE: 24x36: FULL 11x17: HALF REF: 1/E1A



PROPRIETARY NOTICE:
 THIS DRAWING SHEET AND CONTENTS HEREIN ARE PROPERTY OF GLASS AND METAL CRAFT AND ITS CUSTOMERS. USE OF THESE DRAWINGS, ITS CONTENT AND DESIGN CONCEPTS ARE INTENDED FOR THE USE OF THE INTENDED RECIPIENT. GLASS AND METAL CRAFT AND ITS CUSTOMERS ARE NOT RESPONSIBLE FOR USE BY OTHER PARTIES.

SUBMITTED FOR PRELIMINARY REVIEW. FOR DESIGN REPRESENTATION ONLY. THIS SUBMITTAL HAS NOT BEEN ENGINEERED TO ACCOMMODATE SITE-SPECIFIC CONDITIONS FOR THIS SYSTEM.

REVISION	DATE
SI	XX.XX.XX
1	-
2	-
3	-
4	-

DRAWN BY: AL DATE: XX.XX.XX

ARCHITECT: ARCHITECTURE FIRM NAME

GMC SYSTEM TYPE:

OSTIUM VESTIBULES - TYPE 2

PROJECT NAME:

PROJECT NAME

SHEET DESCRIPTION:

DETAILS

SHEET:

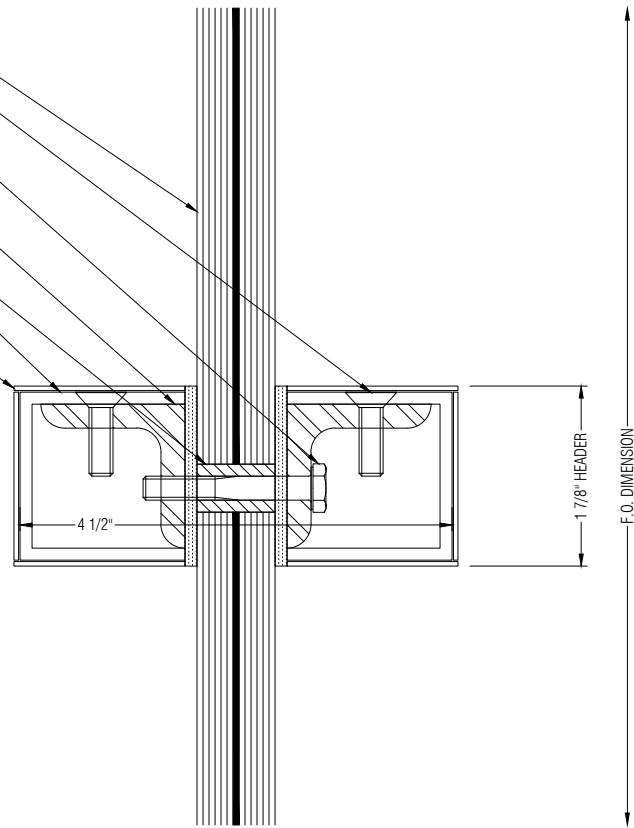
D5



PROPRIETARY NOTICE:
 THIS DRAWING SHEET AND CONTENTS HEREIN ARE PROPERTY OF GLASS AND METAL CRAFT AND ITS CUSTOMERS. USE OF THESE DRAWINGS, ITS CONTENT AND DESIGN CONCEPTS ARE INTENDED FOR THE USE OF THE INTENDED RECIPIENT. GLASS AND METAL CRAFT AND ITS CUSTOMERS ARE NOT RESPONSIBLE FOR USE BY OTHER PARTIES.

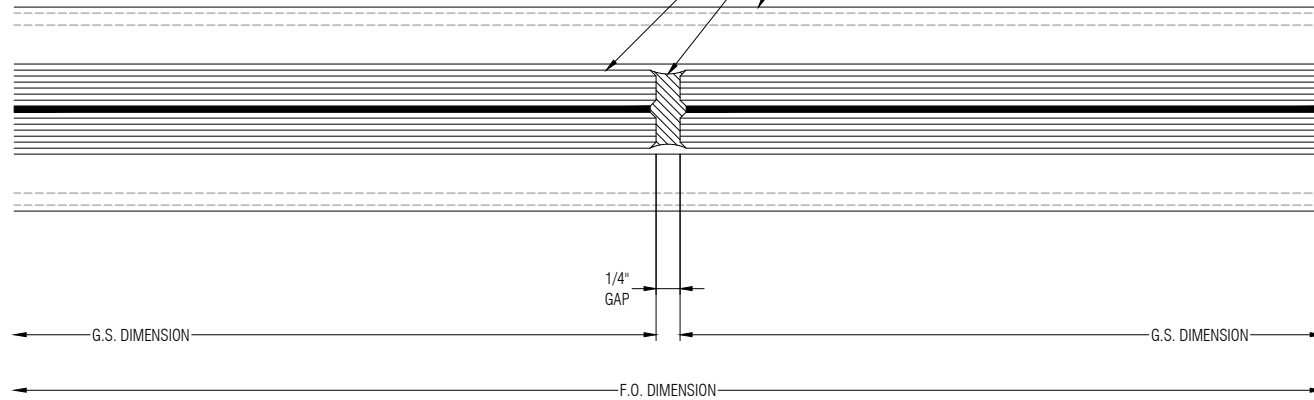
SUBMITTED FOR PRELIMINARY REVIEW. FOR DESIGN REPRESENTATION ONLY. THIS SUBMITTAL HAS NOT BEEN ENGINEERED TO ACCOMMODATE SITE-SPECIFIC CONDITIONS FOR THIS SYSTEM.

- 13/16" LAMINATED GLASS
- 1/4-20 SS CW FASTENER EACH END OF HEADER FASTENAL P/N 73892
- 1/4-20 SS CW FASTENER EACH END OF HEADER FASTENAL P/N 70010
- 1 1/2"x1 1/2"x1/4" PRIMED A36 STEEL ANGLE
- NON-METAL BUSHING
- ALUMINUM HEADER MIN 6063-T6, 1/8" THK CLAD FINISH



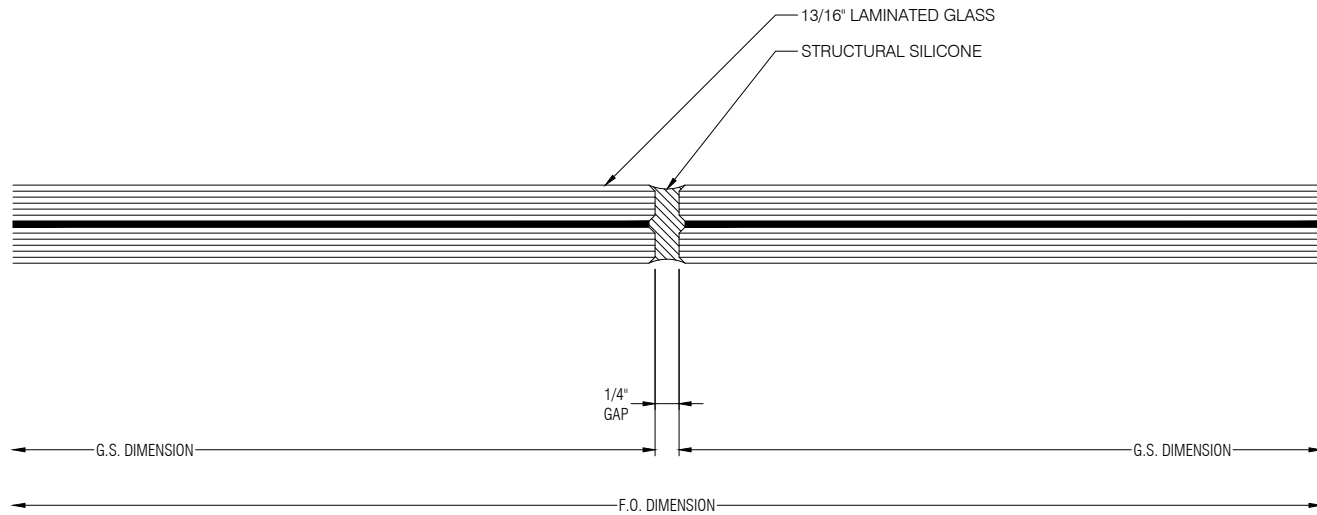
1 FLOATING HEADER SIDELITE CONNECTION
 D6 DRAWING SCALE: 24x36: FULL 11x17: HALF REF: 3/E1A

- 13/16" LAMINATED GLASS
- STRUCTURAL SILICONE
- CHANNEL BELOW



2 GLASS JOINT
 D6 DRAWING SCALE: 24x36: FULL 11x17: HALF REF: 2/E1B

- 13/16" LAMINATED GLASS
- STRUCTURAL SILICONE



3 GLASS JOINT
 D6 DRAWING SCALE: 24x36: FULL 11x17: HALF REF: 2/P1B

REVISION	DATE
SI	XX.XX.XX
1	-
2	-
3	-
4	-

DRAWN BY: AL DATE: XX.XX.XX

ARCHITECT: ARCHITECTURE FIRM NAME

GMC SYSTEM TYPE: OSTIUM VESTIBULES - TYPE 2

PROJECT NAME: PROJECT NAME

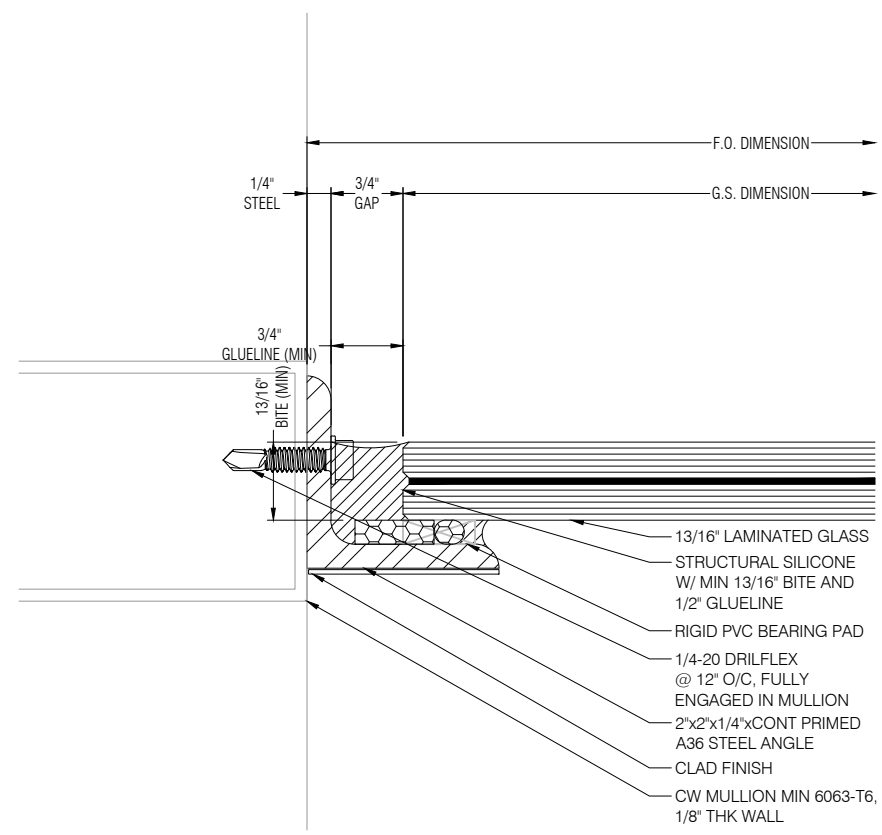
SHEET DESCRIPTION: DETAILS

SHEET: **D6**

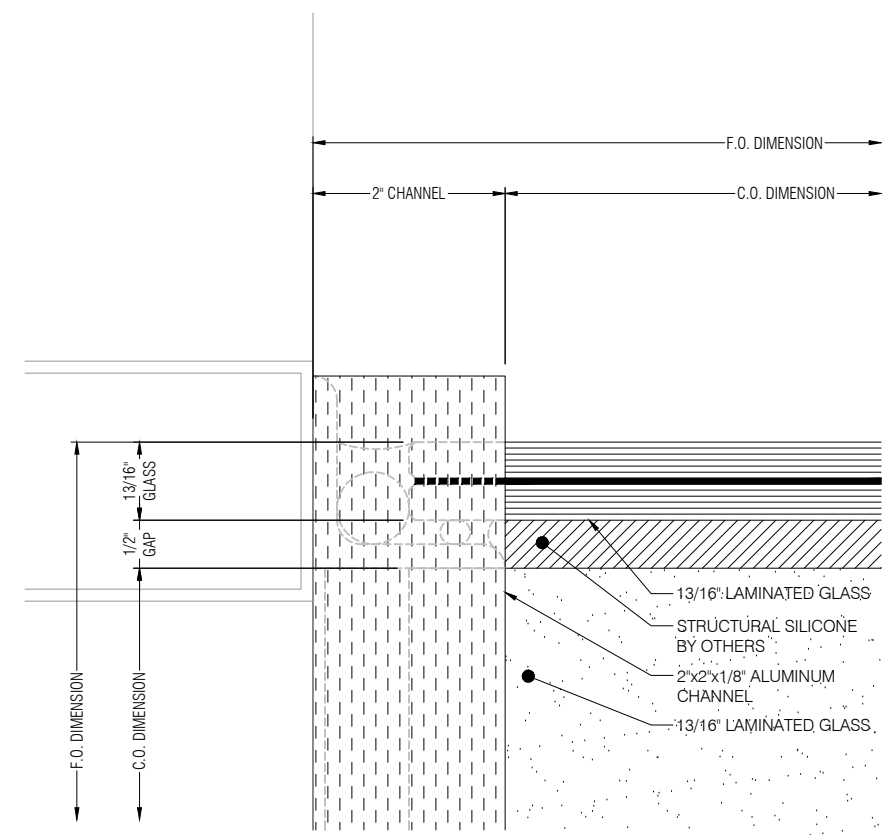


**GLASS+
METAL
CRAFT**

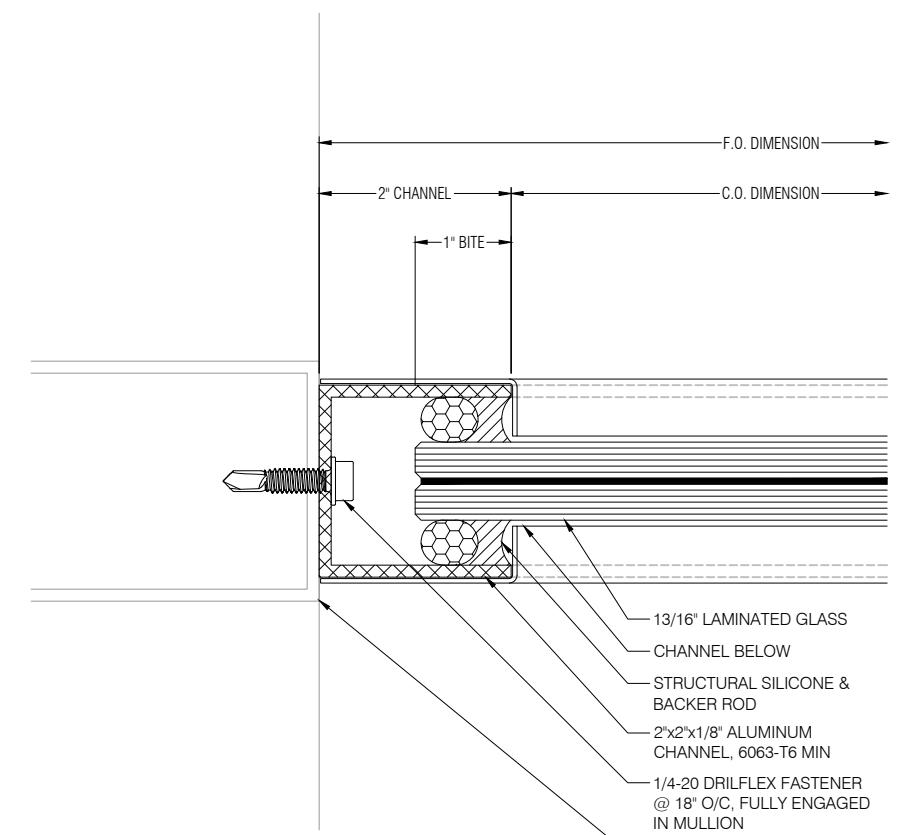
PROPRIETARY NOTICE:
THIS DRAWING SHEET AND CONTENTS HEREIN ARE PROPERTY OF GLASS AND METAL CRAFT AND ITS CUSTOMERS. USE OF THESE DRAWINGS, ITS CONTENT AND DESIGN CONCEPTS ARE INTENDED FOR THE USE OF THE INTENDED RECIPIENT. GLASS AND METAL CRAFT AND ITS CUSTOMERS ARE NOT RESPONSIBLE FOR USE BY OTHER PARTIES.



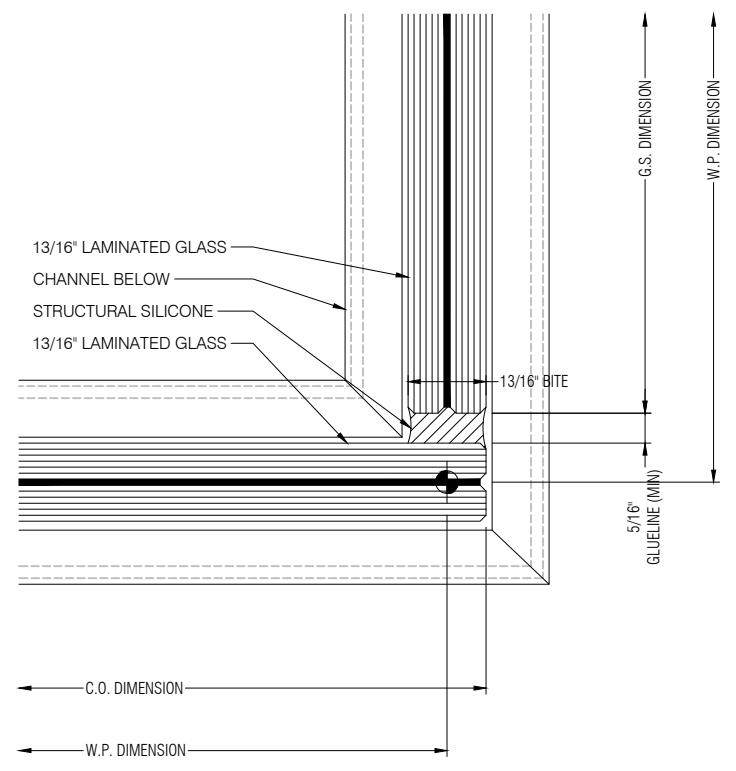
1 ROOF CONNECTION TO CURTAIN WALL
D7 DRAWING SCALE: REF: 2/P1A
24x36: FULL
11x17: HALF



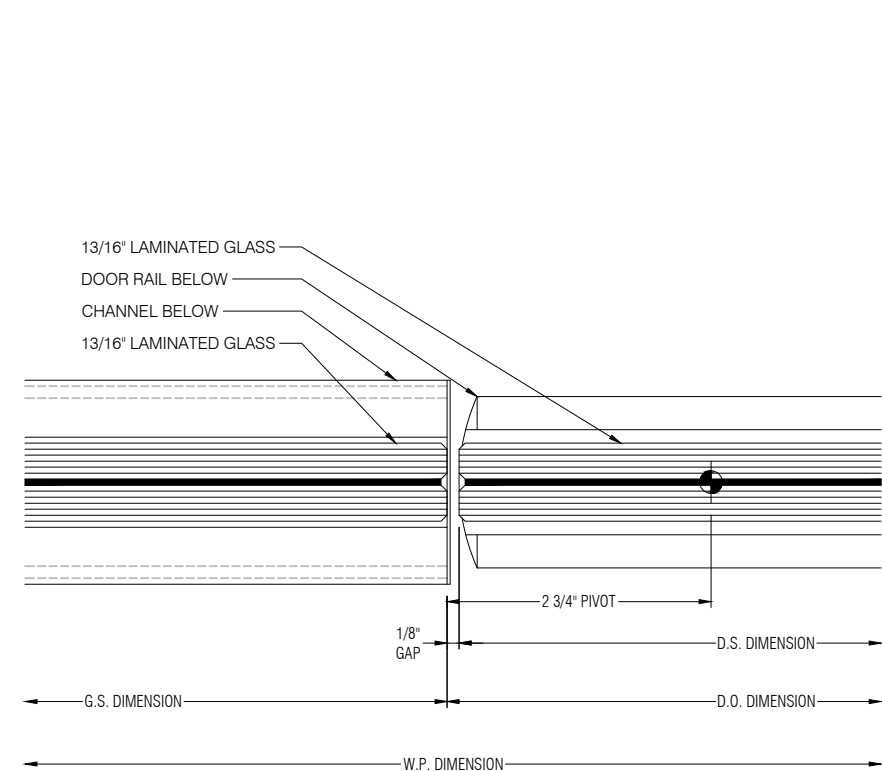
2 EXTERIOR ROOF & SIDELITE INTERFACE
D7 DRAWING SCALE: REF: 2/E1A
24x36: FULL
11x17: HALF



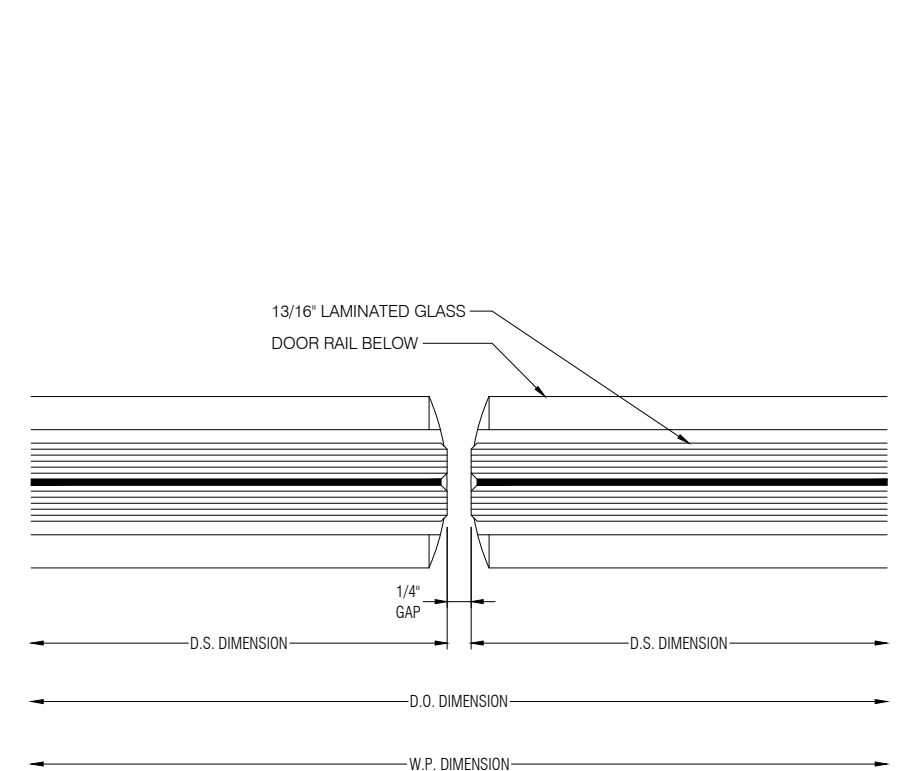
3 F.O. TO SIDELITE
D7 DRAWING SCALE: REF: 2/E1A
24x36: FULL
11x17: HALF



4 90° GLASS JOINT
D7 DRAWING SCALE: REF: 2/E1A
24x36: FULL
11x17: HALF



5 SIDELITE TO PIVOT
D7 DRAWING SCALE: REF: 3/E1A
24x36: FULL
11x17: HALF



6 STRIKE TO STRIKE
D7 DRAWING SCALE: REF: 3/E1A
24x36: FULL
11x17: HALF

SUBMITTED FOR
PRELIMINARY REVIEW. FOR
DESIGN REPRESENTATION
ONLY. THIS SUBMITTAL HAS
NOT BEEN ENGINEERED TO
ACCOMMODATE
SITE-SPECIFIC CONDITIONS
FOR THIS SYSTEM.

REVISION	DATE
SI	XX.XX.XX
1	-
2	-
3	-
4	-

DRAWN BY: AL DATE: XX.XX.XX

ARCHITECT: ARCHITECTURE FIRM NAME

GMC SYSTEM TYPE: OSTIUM VESTIBULES - TYPE 2

PROJECT NAME: PROJECT NAME

SHEET DESCRIPTION: DETAILS

SHEET: **D7**