

VENTUS WINDSCREEN

72" SYSTEM HEIGHT, 54" POST HEIGHT

PRE-ENGINEERED ARCHITECTURAL SYSTEMS

ARCHITECT:

ARCH. NAME

ARCH. ADDRESS 1
ARCH. ADDRESS 2
ARCH. CONTACT #

GLASS + METAL
CRAFT

48230 WEST ROAD
WIXOM, MI 48393
P. 248.624.5050
F. 248.624.6988



GLAZING SCHEDULE

SYSTEM NOTES

DESIGN CRITERIA

SUBMITTAL LOG

TYPE: GL-1 (GL-1) 13/16" LAMINATED GLASS

MAKEUP: 1/8" TEMPERED GLASS
0.060" CLEAR INTERLAYER
1/8" TEMPERED GLASS

NOTES:
EXPOSED EDGES TO BE FLAT POLISHED

LAMINATED LOGO: NO LOGO:

*TEMPERING LOGO AVAILABLE UPON REQUEST

Blank area for system notes.

Blank area for design criteria.

1	PROPOSAL / PROGRESS REVIEW SUBMITTAL	XX.XX.XX	AL
2			
3			
4			
5			
6			

PROPRIETARY NOTICE:
THIS DRAWING SHEET AND CONTENTS HEREIN ARE PROPERTY OF GLASS AND METAL CRAFT AND ITS CUSTOMERS. USE OF THESE DRAWINGS, ITS CONTENT AND DESIGN CONCEPTS ARE INTENDED FOR THE USE OF THE INTENDED RECIPIENT. GLASS AND METAL CRAFT AND ITS CUSTOMERS ARE NOT RESPONSIBLE FOR USE BY OTHER PARTIES.

METAL FINISH

Blank area for metal finish details.

SHEET INDEX

C1	COVER SHEET
E1	ELEVATIONS
D1A THRU D2B	DETAILS

SUBMITTED FOR PRELIMINARY REVIEW. FOR DESIGN REPRESENTATION ONLY. THIS SUBMITTAL HAS NOT BEEN ENGINEERED TO ACCOMMODATE SITE-SPECIFIC CONDITIONS FOR THIS SYSTEM.

REVISION	DATE
SI	XX.XX.XX
1	-
2	-
3	-
4	-
DRAWN BY:	DATE:
AL	XX.XX.XX

ABBREVIATIONS

GLASS GLASS ORIENTATION	(E1-1A) GLASS TAG
WORKPOINT	(GL-1) GLASS GL TYPE
F.O. - FINISH OPENING	W.P. - WORK POINT
R.O. - ROUGH OPENING	F.F. - FINISH FLOOR
C.O. - CLEAR OPENING	V.I.F. - VERIFY IN FIELD
D.O. - DOOR OPENING	O.H. - OPPOSITE HAND
G.S. - GLASS SIZE	SIM. - SIMILAR
D.S. - DOOR SIZE	EQ. - EQUAL
E.O.G. - EDGE OF GLASS	☿ - CENTERLINE

ARCHITECT:
ARCHITECTURE FIRM NAME

GMC SYSTEM TYPE:
VENTUS WINDSCREEN

PROJECT NAME:
PROJECT NAME

SHEET DESCRIPTION:
COVER SHEET

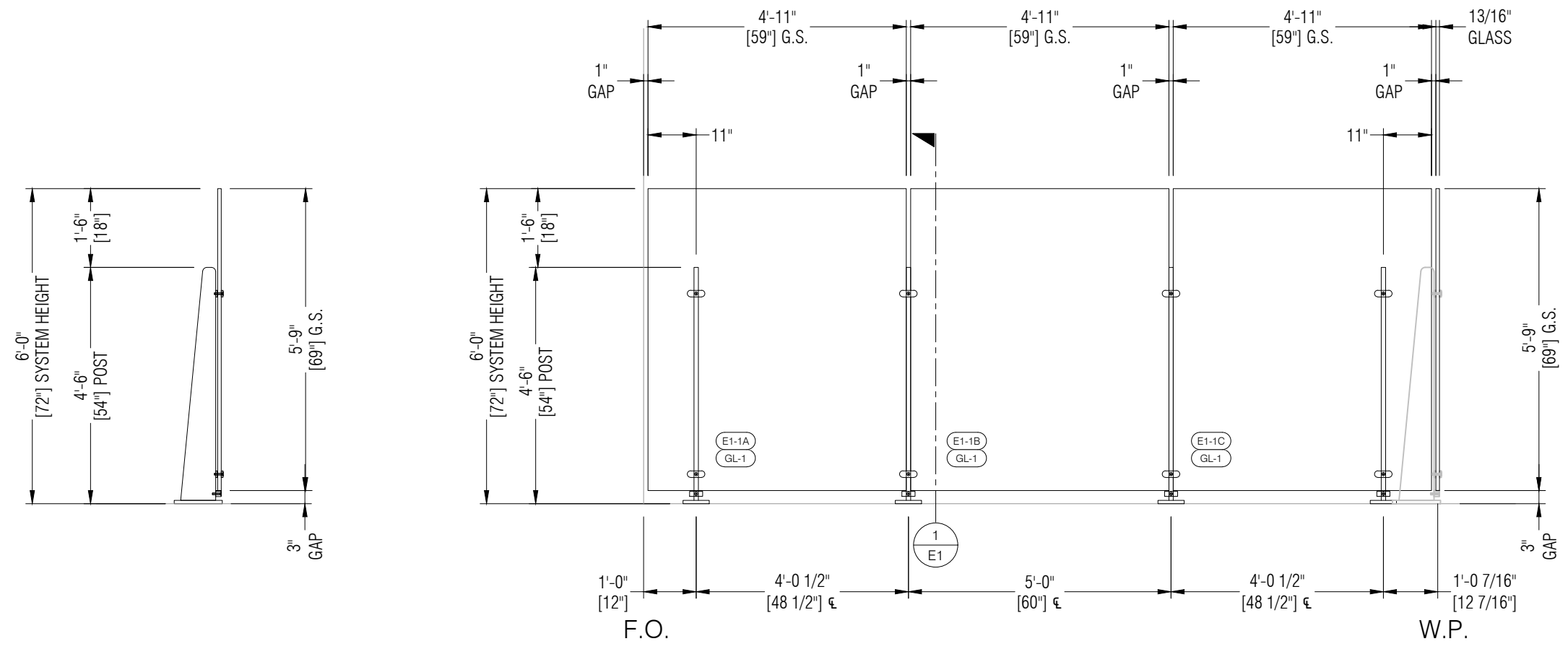
SHEET:
C1



GLASS+
METAL
CRAFT

PROPRIETARY NOTICE:

THIS DRAWING SHEET AND CONTENTS HEREIN ARE PROPERTY OF GLASS AND METAL CRAFT AND ITS CUSTOMERS. USE OF THESE DRAWINGS, ITS CONTENT AND DESIGN CONCEPTS ARE INTENDED FOR THE USE OF THE INTENDED RECIPIENT. GLASS AND METAL CRAFT AND ITS CUSTOMERS ARE NOT RESPONSIBLE FOR USE BY OTHER PARTIES.



SUBMITTED FOR PRELIMINARY REVIEW. FOR DESIGN REPRESENTATION ONLY. THIS SUBMITTAL HAS NOT BEEN ENGINEERED TO ACCOMMODATE SITE-SPECIFIC CONDITIONS FOR THIS SYSTEM.

1
E1 **WINDSCREEN SECTION**
DRAWING SCALE:
24x36: 3/4" = 1'-0"
11x17: 3/8" = 1'-0"

2
E1 **WINDSCREEN ELEVATION**
DRAWING SCALE:
24x36: 3/4" = 1'-0"
11x17: 3/8" = 1'-0"

REVISION	DATE
SI	XX.XX.XX
1	-
2	-
3	-
4	-

DRAWN BY: AL
DATE: XX.XX.XX

ARCHITECT:
ARCHITECTURE FIRM NAME

GMC SYSTEM TYPE:
VENTUS WINDSCREEN

PROJECT NAME:
PROJECT NAME

SHEET DESCRIPTION:
ELEVATIONS

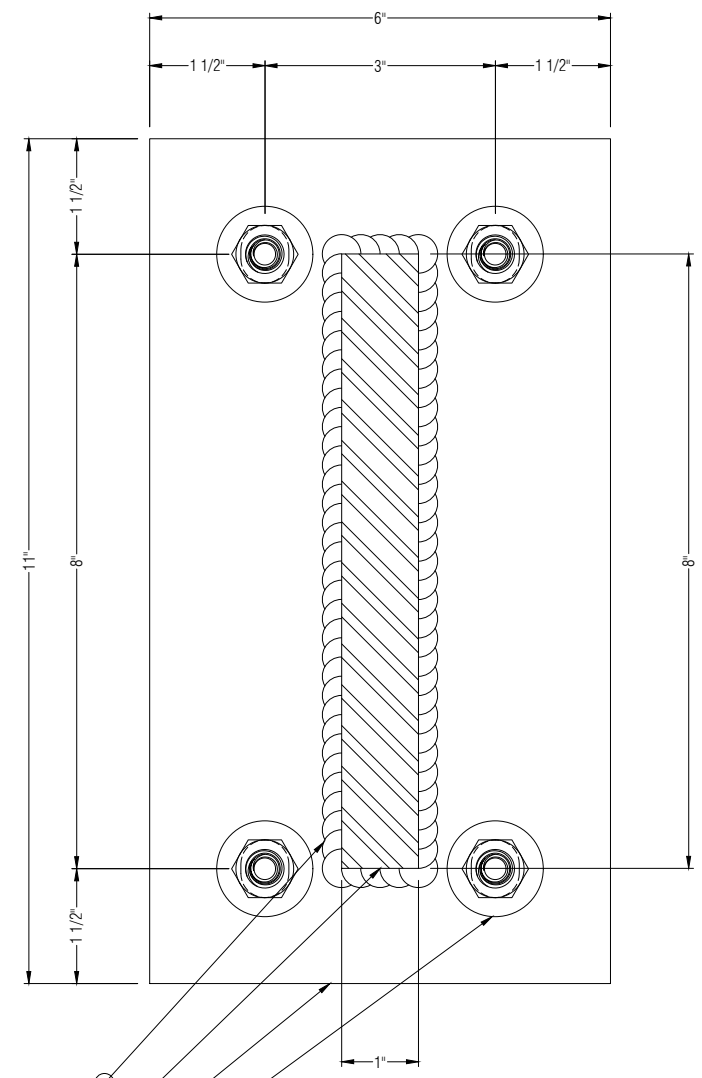
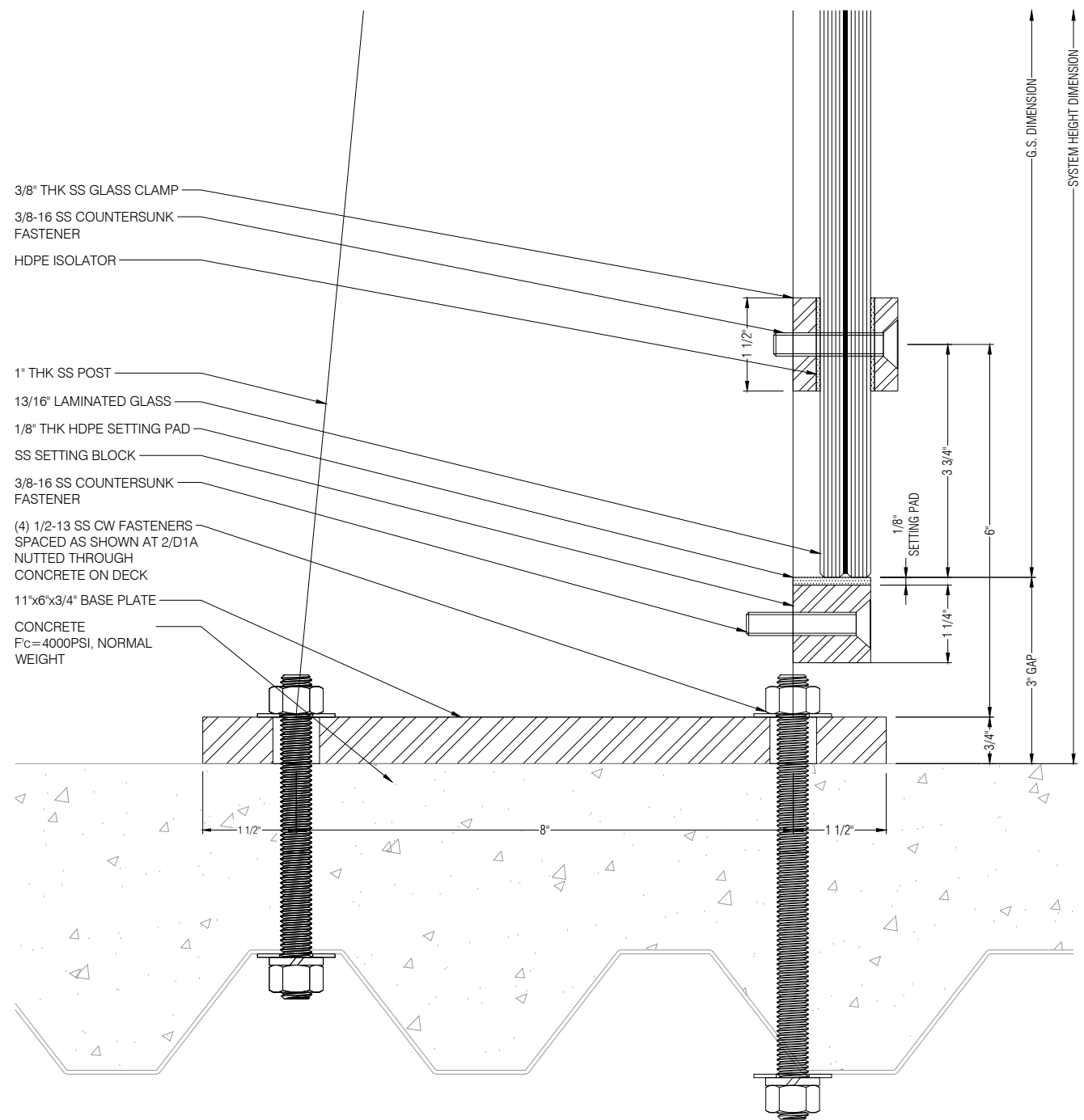
SHEET:
E1



**GLASS+
METAL
CRAFT**

PROPRIETARY NOTICE:

THIS DRAWING SHEET AND CONTENTS HEREIN ARE PROPERTY OF GLASS AND METAL CRAFT AND ITS CUSTOMERS. USE OF THESE DRAWINGS, ITS CONTENT AND DESIGN CONCEPTS ARE INTENDED FOR THE USE OF THE INTENDED RECIPIENT. GLASS AND METAL CRAFT AND ITS CUSTOMERS ARE NOT RESPONSIBLE FOR USE BY OTHER PARTIES.



1" THK SS POST
11"x6"x3/4" BASE PLATE
(4) 1/2-13 SS CW FASTENERS SPACED AS SHOWN. NUTTED THROUGH CONCRETE ON DECK

1 BASE PLATE SECTION
D1A DRAWING SCALE: 24x36: FULL 11x17: HALF REF: 1/E1

2 BASE PLATE PLAN
D1A DRAWING SCALE: 24x36: FULL 11x17: HALF REF: 1/E1

SUBMITTED FOR PRELIMINARY REVIEW. FOR DESIGN REPRESENTATION ONLY. THIS SUBMITTAL HAS NOT BEEN ENGINEERED TO ACCOMMODATE SITE-SPECIFIC CONDITIONS FOR THIS SYSTEM.

REVISION	DATE
SI	XX.XX.XX
1	-
2	-
3	-
4	-

DRAWN BY: AL DATE: XX.XX.XX

ARCHITECT: ARCHITECTURE FIRM NAME

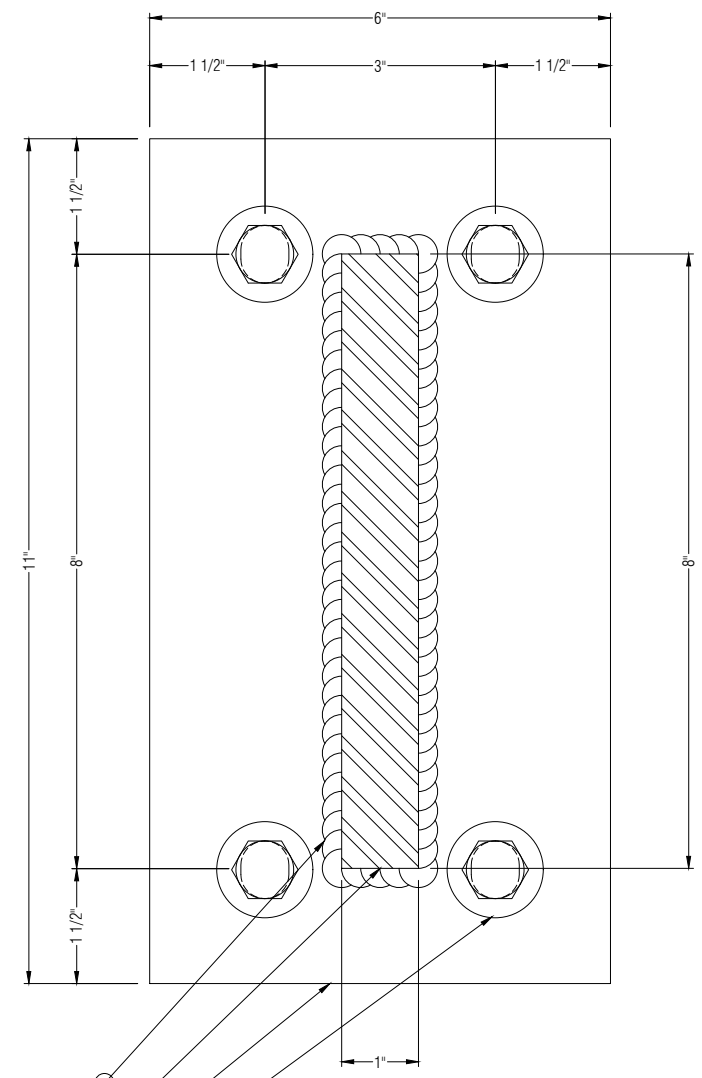
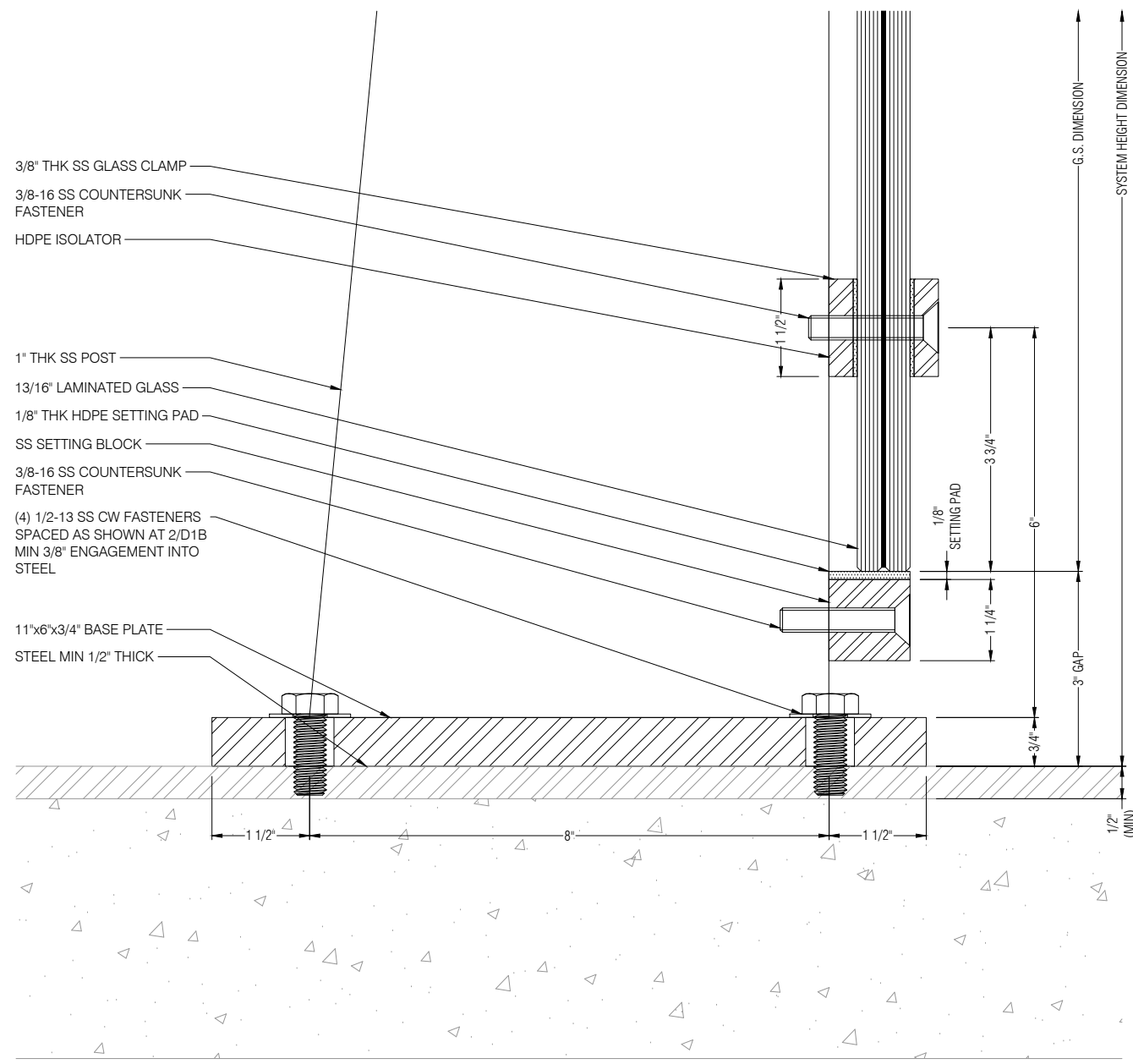
GMC SYSTEM TYPE: VENTUS WINDSCREEN

PROJECT NAME: PROJECT NAME

SHEET DESCRIPTION: DETAILS

SHEET: **D1A**

PROPRIETARY NOTICE:
 THIS DRAWING SHEET AND CONTENTS HEREIN ARE PROPERTY OF GLASS AND METAL CRAFT AND ITS CUSTOMERS. USE OF THESE DRAWINGS, ITS CONTENT AND DESIGN CONCEPTS ARE INTENDED FOR THE USE OF THE INTENDED RECIPIENT. GLASS AND METAL CRAFT AND ITS CUSTOMERS ARE NOT RESPONSIBLE FOR USE BY OTHER PARTIES.



1" THK SS POST
 11"x6"x3/4" BASE PLATE
 (4) 1/2-13 SS CW FASTENERS SPACED AS SHOWN. MIN 3/8" ENGAGEMENT INTO STEEL BY OTHERS

SUBMITTED FOR PRELIMINARY REVIEW. FOR DESIGN REPRESENTATION ONLY. THIS SUBMITTAL HAS NOT BEEN ENGINEERED TO ACCOMMODATE SITE-SPECIFIC CONDITIONS FOR THIS SYSTEM.

REVISION	DATE
SI	XX.XX.XX
1	-
2	-
3	-
4	-
DRAWN BY: AL	DATE: XX.XX.XX
ARCHITECT: ARCHITECTURE FIRM NAME	
GMC SYSTEM TYPE: VENTUS WINDSCREEN	
PROJECT NAME: PROJECT NAME	
SHEET DESCRIPTION: DETAILS	

1 BASE PLATE SECTION
 D1B DRAWING SCALE: REF: 1/E1
 24x36: FULL
 11x17: HALF

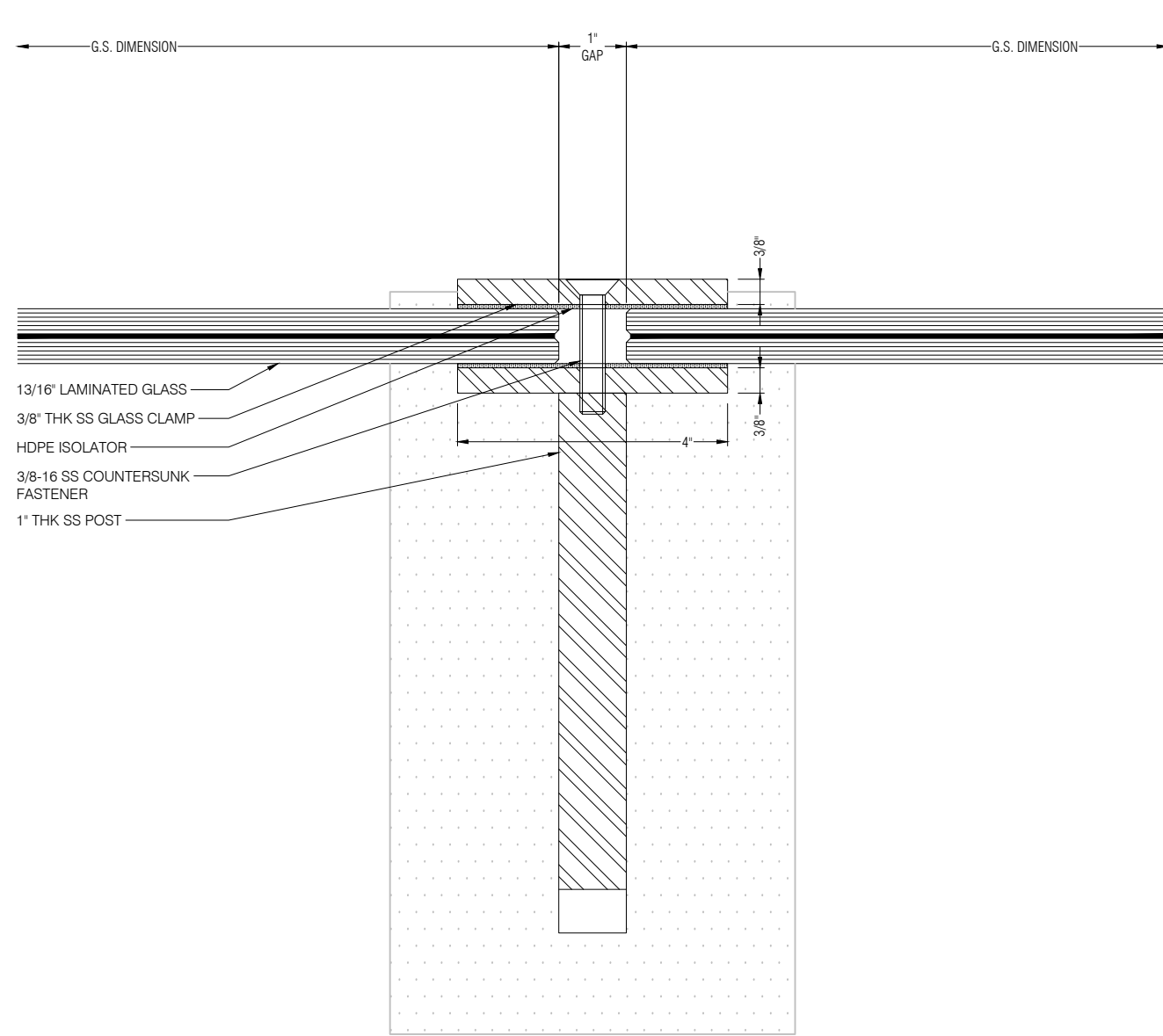
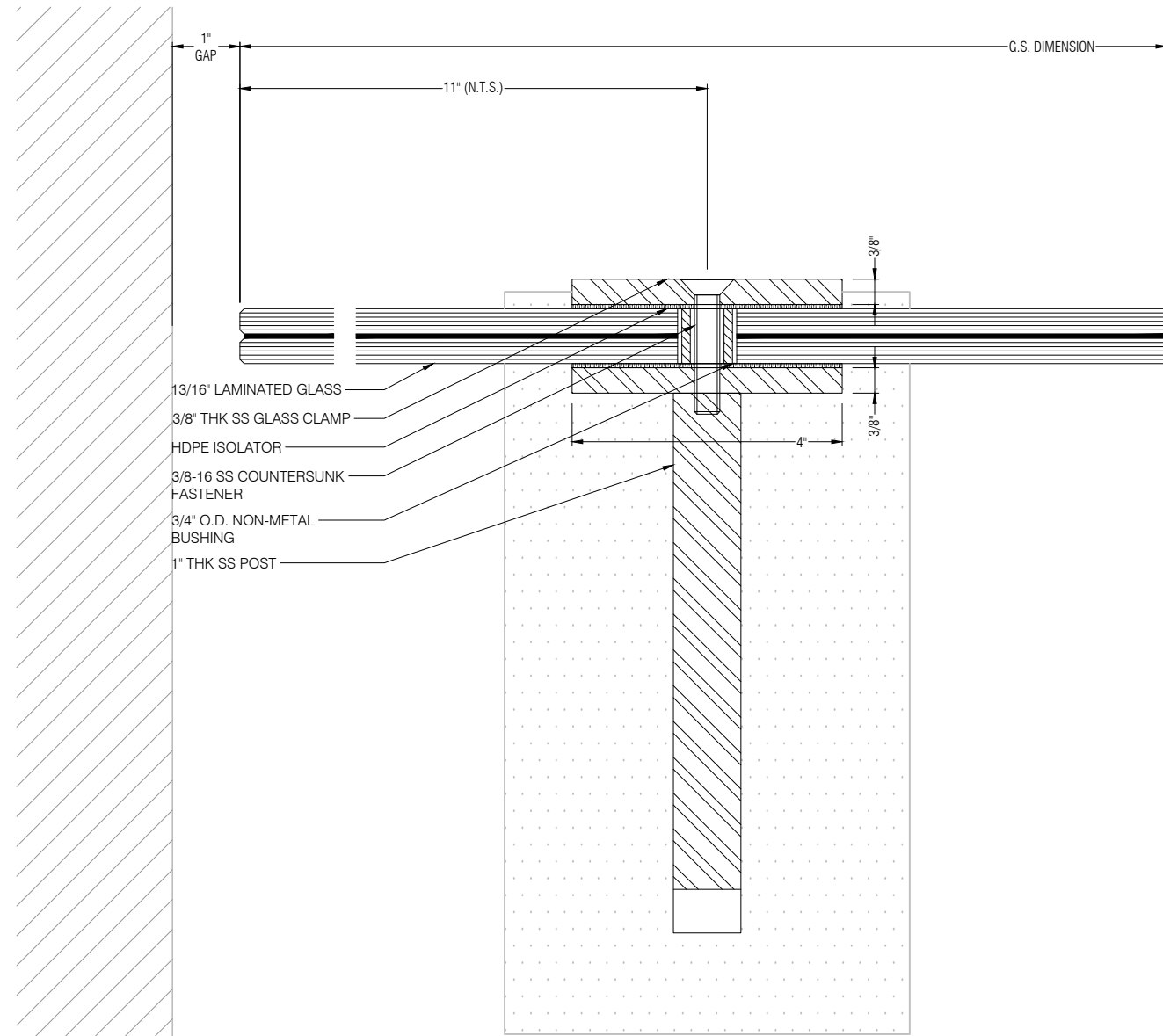
2 BASE PLATE PLAN
 D1B DRAWING SCALE: REF: 1/E1
 24x36: FULL
 11x17: HALF

SHEET:
D1B



GLASS+
METAL
CRAFT

PROPRIETARY NOTICE:
THIS DRAWING SHEET AND CONTENTS HEREIN ARE PROPERTY OF GLASS AND METAL CRAFT AND ITS CUSTOMERS. USE OF THESE DRAWINGS, ITS CONTENT AND DESIGN CONCEPTS ARE INTENDED FOR THE USE OF THE INTENDED RECIPIENT. GLASS AND METAL CRAFT AND ITS CUSTOMERS ARE NOT RESPONSIBLE FOR USE BY OTHER PARTIES.



SUBMITTED FOR
PRELIMINARY REVIEW. FOR
DESIGN REPRESENTATION
ONLY. THIS SUBMITTAL HAS
NOT BEEN ENGINEERED TO
ACCOMMODATE
SITE-SPECIFIC CONDITIONS
FOR THIS SYSTEM.

REVISION	DATE
SI	XX.XX.XX
1	-
2	-
3	-
4	-

DRAWN BY: AL DATE: XX.XX.XX

ARCHITECT:
ARCHITECTURE FIRM NAME

GMC SYSTEM TYPE:
VENTUS WINDSCREEN

PROJECT NAME:
PROJECT NAME

SHEET DESCRIPTION:
DETAILS

SHEET:
D2

1
WALL TO POST
D2 DRAWING SCALE: REF: 1/E1
24x36: FULL
11x17: HALF

2
INTERMEDIATE POST
D2 DRAWING SCALE: REF: 1/E1
24x36: FULL
11x17: HALF