

# IMBER CANOPY

## PRE-ENGINEERED ARCHITECTURAL SYSTEMS

ARCHITECT:

ARCH. NAME

ARCH. ADDRESS 1

ARCH. ADDRESS 2

ARCH. CONTACT #

GLASS + METAL  
CRAFT

48230 WEST ROAD

WIXOM, MI 48393

P. 248.624.5050

F. 248.624.6988



### GLAZING SCHEDULE

### SYSTEM NOTES

### DESIGN CRITERIA

### SUBMITTAL LOG

TYPE: GL-1 (GL-1) 13/16" LAMINATED GLASS

MAKEUP: 1/8" TEMPERED GLASS  
0.060" CLEAR INTERLAYER  
1/8" TEMPERED GLASS

NOTES:  
EXPOSED EDGES TO BE FLAT POLISHED

LAMINATED LOGO:  NO LOGO:

\*TEMPERING LOGO AVAILABLE UPON REQUEST

NO.	DESCRIPTION	DATE	BY
1	PROPOSAL / PROGRESS REVIEW SUBMITTAL	XX.XX.XX	AL
2			
3			
4			
5			
6			

**PROPRIETARY NOTICE:**  
THIS DRAWING SHEET AND CONTENTS HEREIN ARE PROPERTY OF GLASS AND METAL CRAFT AND ITS CUSTOMERS. USE OF THESE DRAWINGS, ITS CONTENT AND DESIGN CONCEPTS ARE INTENDED FOR THE USE OF THE INTENDED RECIPIENT. GLASS AND METAL CRAFT AND ITS CUSTOMERS ARE NOT RESPONSIBLE FOR USE BY OTHER PARTIES.

### METAL FINISH

### SHEET INDEX

C1	COVER SHEET
P1 THRU P3	PLAN VIEWS
S1	SECTIONS
D1 THRU D2	DETAILS

SUBMITTED FOR PRELIMINARY REVIEW. FOR DESIGN REPRESENTATION ONLY. THIS SUBMITTAL HAS NOT BEEN ENGINEERED TO ACCOMMODATE SITE-SPECIFIC CONDITIONS FOR THIS SYSTEM.

REVISION	DATE
SI	XX.XX.XX
1	-
2	-
3	-
4	-

DRAWN BY: AL	DATE: XX.XX.XX
-----------------	-------------------

### ABBREVIATIONS

GLASS   GLASS ORIENTATION	(E1-1A) GLASS TAG
⊕ WORKPOINT	(GL-1) GLASS GL TYPE
F.O. - FINISH OPENING	W.P. - WORK POINT
R.O. - ROUGH OPENING	F.F. - FINISH FLOOR
C.O. - CLEAR OPENING	V.I.F. - VERIFY IN FIELD
D.O. - DOOR OPENING	O.H. - OPPOSITE HAND
G.S. - GLASS SIZE	SIM. - SIMILAR
D.S. - DOOR SIZE	EQ. - EQUAL
E.O.G. - EDGE OF GLASS	⊥ - CENTERLINE

ARCHITECT:  
ARCHITECTURE FIRM NAME

GMC SYSTEM TYPE:  
**IMBER CANOPY**

PROJECT NAME:  
**PROJECT NAME**

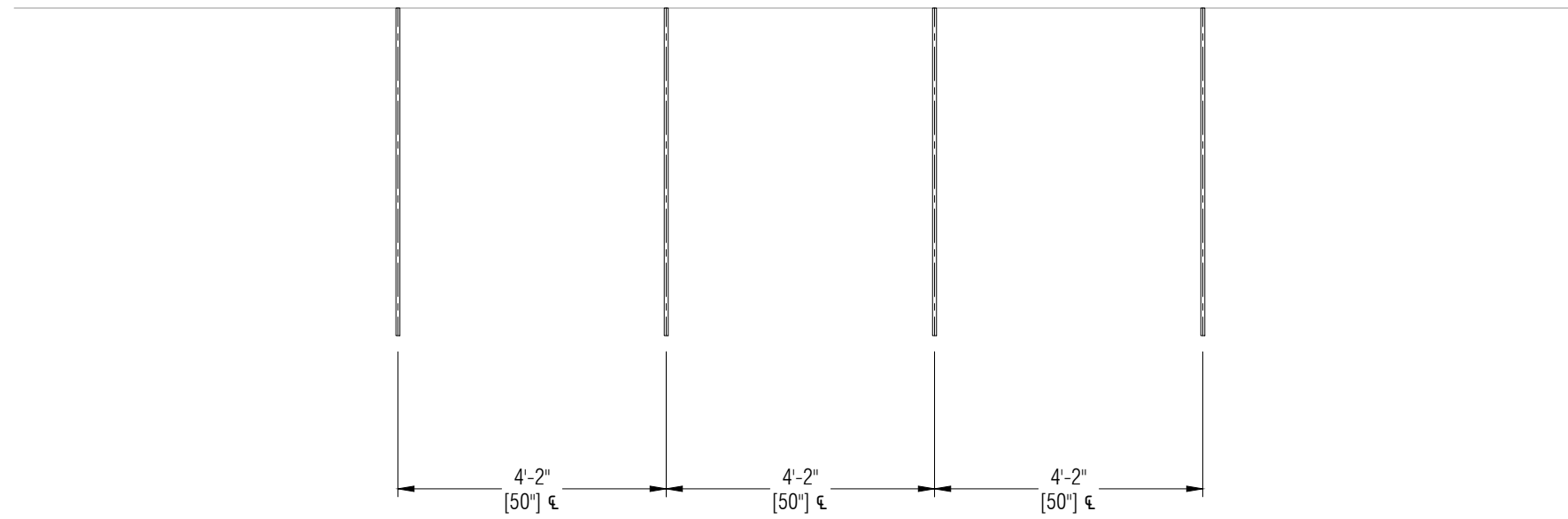
SHEET DESCRIPTION:  
**COVER SHEET**

SHEET:  
**C1**

NOTE:  
CANOPY PLANS ARE VIEWED  
PERPENDICULAR TO GLASS



**PROPRIETARY NOTICE:**  
THIS DRAWING SHEET AND CONTENTS HEREIN ARE PROPERTY OF GLASS AND METAL CRAFT AND ITS CUSTOMERS. USE OF THESE DRAWINGS, ITS CONTENT AND DESIGN CONCEPTS ARE INTENDED FOR THE USE OF THE INTENDED RECIPIENT. GLASS AND METAL CRAFT AND ITS CUSTOMERS ARE NOT RESPONSIBLE FOR USE BY OTHER PARTIES.



SUBMITTED FOR  
PRELIMINARY REVIEW. FOR  
DESIGN REPRESENTATION  
ONLY. THIS SUBMITTAL HAS  
NOT BEEN ENGINEERED TO  
ACCOMMODATE  
SITE-SPECIFIC CONDITIONS  
FOR THIS SYSTEM.

REVISION	DATE
SI	XX.XX.XX
1	-
2	-
3	-
4	-

DRAWN BY: AL	DATE: XX.XX.XX
-----------------	-------------------

ARCHITECT:  
ARCHITECTURE FIRM NAME

GMC SYSTEM TYPE:  
**IMBER CANOPY**

PROJECT NAME:  
**PROJECT NAME**

SHEET DESCRIPTION:  
**PLAN VIEWS**

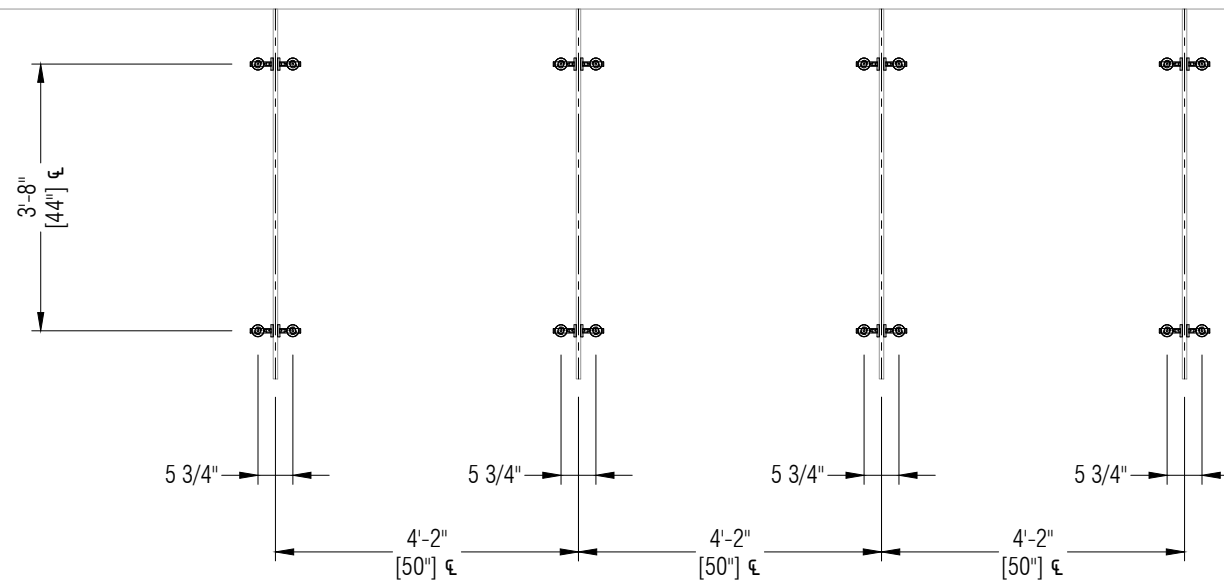
SHEET:  
**P1**

1 PLAN AT STEEL  
P1 DRAWING SCALE:  
24x36: 3/4" = 1'-0"  
11x17: 3/8" = 1'-0"

NOTE:  
CANOPY PLANS ARE VIEWED  
PERPENDICULAR TO GLASS



**PROPRIETARY NOTICE:**  
THIS DRAWING SHEET AND CONTENTS HEREIN  
ARE PROPERTY OF GLASS AND METAL CRAFT  
AND ITS CUSTOMERS. USE OF THESE DRAWINGS,  
ITS CONTENT AND DESIGN CONCEPTS ARE  
INTENDED FOR THE USE OF THE INTENDED  
RECIPIENT. GLASS AND METAL CRAFT AND ITS  
CUSTOMERS ARE NOT RESPONSIBLE FOR USE BY  
OTHER PARTIES.



SUBMITTED FOR  
PRELIMINARY REVIEW. FOR  
DESIGN REPRESENTATION  
ONLY. THIS SUBMITTAL HAS  
NOT BEEN ENGINEERED TO  
ACCOMMODATE  
SITE-SPECIFIC CONDITIONS  
FOR THIS SYSTEM.

REVISION	DATE
SI	XX.XX.XX
1	-
2	-
3	-
4	-

DRAWN BY: AL  
DATE: XX.XX.XX

ARCHITECT:  
ARCHITECTURE FIRM NAME

GMC SYSTEM TYPE:  
IMBER CANOPY

PROJECT NAME:  
PROJECT NAME

SHEET DESCRIPTION:  
PLAN VIEWS

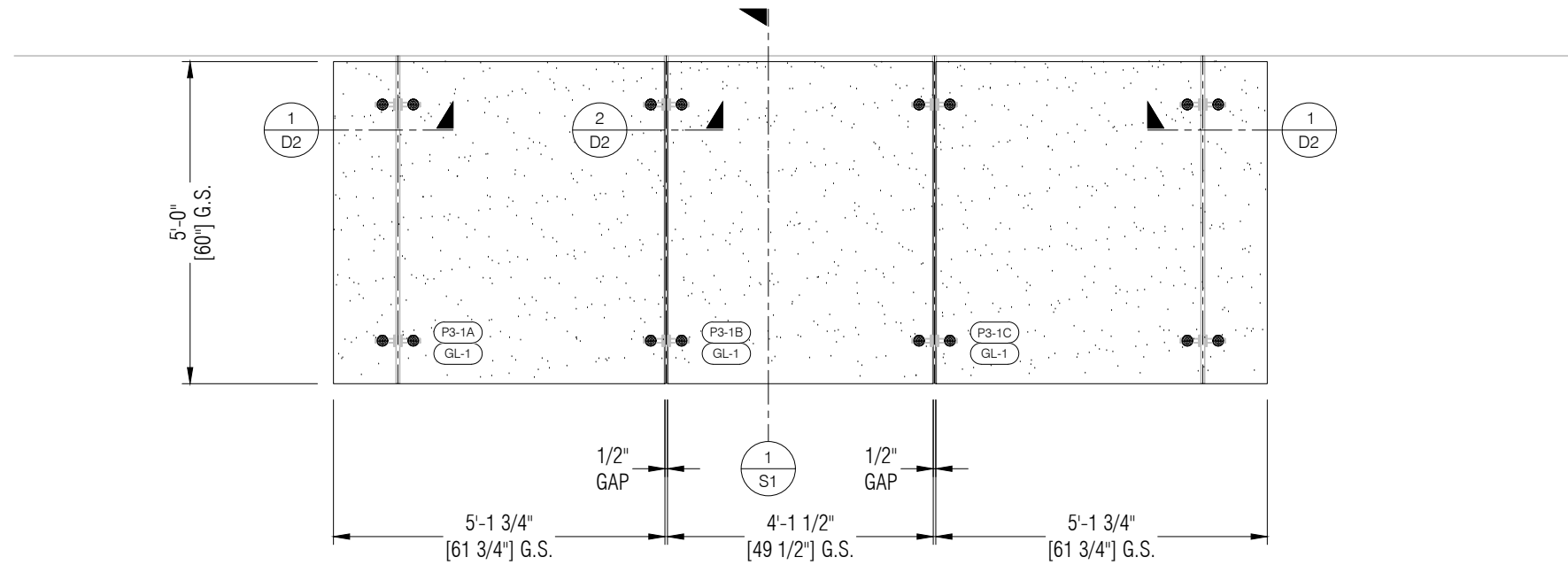
SHEET:  
**P2**

1 PLAN AT FITTINGS  
P2 DRAWING SCALE:  
24x36: 3/4" = 1'-0"  
11x17: 3/8" = 1'-0"

NOTE:  
CANOPY PLANS ARE VIEWED  
PERPENDICULAR TO GLASS



**PROPRIETARY NOTICE:**  
THIS DRAWING SHEET AND CONTENTS HEREIN ARE PROPERTY OF GLASS AND METAL CRAFT AND ITS CUSTOMERS. USE OF THESE DRAWINGS, ITS CONTENT AND DESIGN CONCEPTS ARE INTENDED FOR THE USE OF THE INTENDED RECIPIENT. GLASS AND METAL CRAFT AND ITS CUSTOMERS ARE NOT RESPONSIBLE FOR USE BY OTHER PARTIES.



SUBMITTED FOR  
PRELIMINARY REVIEW. FOR  
DESIGN REPRESENTATION  
ONLY. THIS SUBMITTAL HAS  
NOT BEEN ENGINEERED TO  
ACCOMMODATE  
SITE-SPECIFIC CONDITIONS  
FOR THIS SYSTEM.

REVISION	DATE
SI	XX.XX.XX
1	-
2	-
3	-
4	-

DRAWN BY: AL  
DATE: XX.XX.XX

ARCHITECT:  
ARCHITECTURE FIRM NAME

GMC SYSTEM TYPE:  
IMBER CANOPY

PROJECT NAME:  
PROJECT NAME

SHEET DESCRIPTION:  
PLAN VIEWS

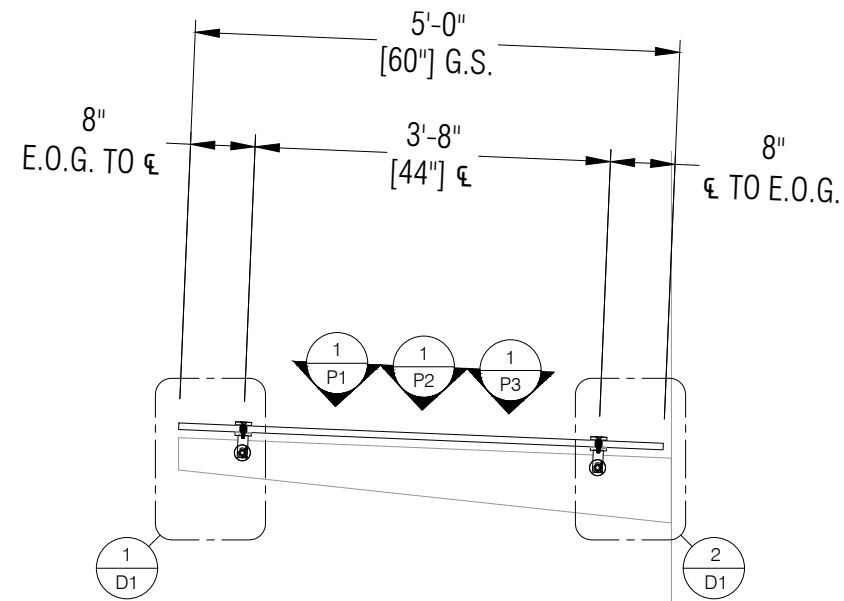
SHEET:  
**P3**

**1**  
P3 **PLAN AT GLASS**  
DRAWING SCALE:  
24x36: 3/4" = 1'-0"  
11x17: 3/8" = 1'-0"



**GLASS+**  
**METAL**  
**CRAFT**

**PROPRIETARY NOTICE:**  
THIS DRAWING SHEET AND CONTENTS HEREIN ARE PROPERTY OF GLASS AND METAL CRAFT AND ITS CUSTOMERS. USE OF THESE DRAWINGS, ITS CONTENT AND DESIGN CONCEPTS ARE INTENDED FOR THE USE OF THE INTENDED RECIPIENT. GLASS AND METAL CRAFT AND ITS CUSTOMERS ARE NOT RESPONSIBLE FOR USE BY OTHER PARTIES.



SUBMITTED FOR  
PRELIMINARY REVIEW. FOR  
DESIGN REPRESENTATION  
ONLY. THIS SUBMITTAL HAS  
NOT BEEN ENGINEERED TO  
ACCOMMODATE  
SITE-SPECIFIC CONDITIONS  
FOR THIS SYSTEM.

REVISION	DATE
SI	XX.XX.XX
1	-
2	-
3	-
4	-

DRAWN BY: AL  
DATE: XX.XX.XX

ARCHITECT:  
ARCHITECTURE FIRM NAME

GMC SYSTEM TYPE:  
**IMBER CANOPY**

PROJECT NAME:  
**PROJECT NAME**

SHEET DESCRIPTION:  
**SECTIONS**

SHEET:  
**S1**

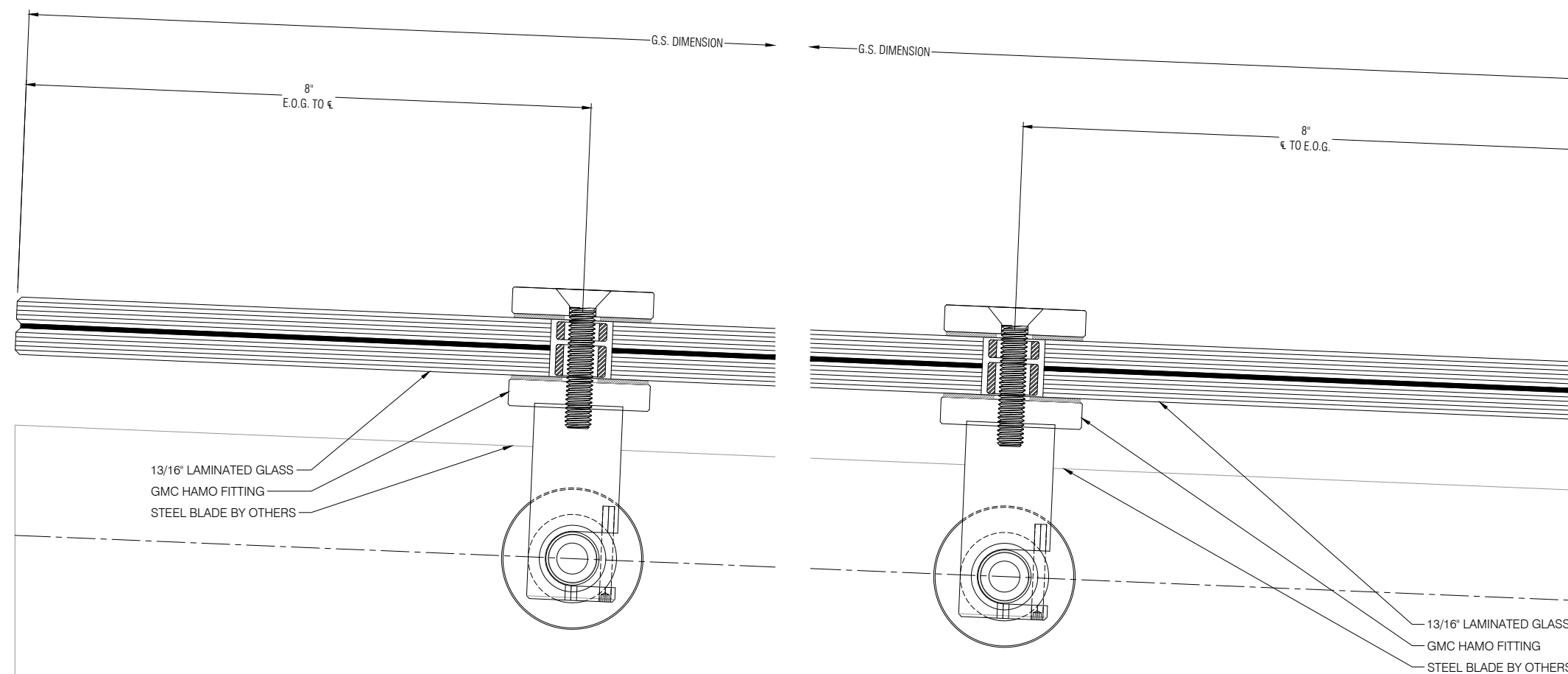
**1**  
SECTION THRU CANOPY  
DRAWING SCALE:  
24x36: 3/4" = N.T.S.  
11x17: 3/8" = N.T.S.  
REF: 1/P3



**GLASS+**  
**METAL**  
**CRAFT**

**PROPRIETARY NOTICE:**

THIS DRAWING SHEET AND CONTENTS HEREIN ARE PROPERTY OF GLASS AND METAL CRAFT AND ITS CUSTOMERS. USE OF THESE DRAWINGS, ITS CONTENT AND DESIGN CONCEPTS ARE INTENDED FOR THE USE OF THE INTENDED RECIPIENT. GLASS AND METAL CRAFT AND ITS CUSTOMERS ARE NOT RESPONSIBLE FOR USE BY OTHER PARTIES.



SUBMITTED FOR PRELIMINARY REVIEW. FOR DESIGN REPRESENTATION ONLY. THIS SUBMITTAL HAS NOT BEEN ENGINEERED TO ACCOMMODATE SITE-SPECIFIC CONDITIONS FOR THIS SYSTEM.

REVISION	DATE
SI	XX.XX.XX
1	-
2	-
3	-
4	-

DRAWN BY: AL	DATE: XX.XX.XX
-----------------	-------------------

ARCHITECT:  
ARCHITECTURE FIRM NAME

GMC SYSTEM TYPE:  
**IMBER CANOPY**

PROJECT NAME:  
**PROJECT NAME**

SHEET DESCRIPTION:  
**DETAILS**

SHEET:  
**D1**

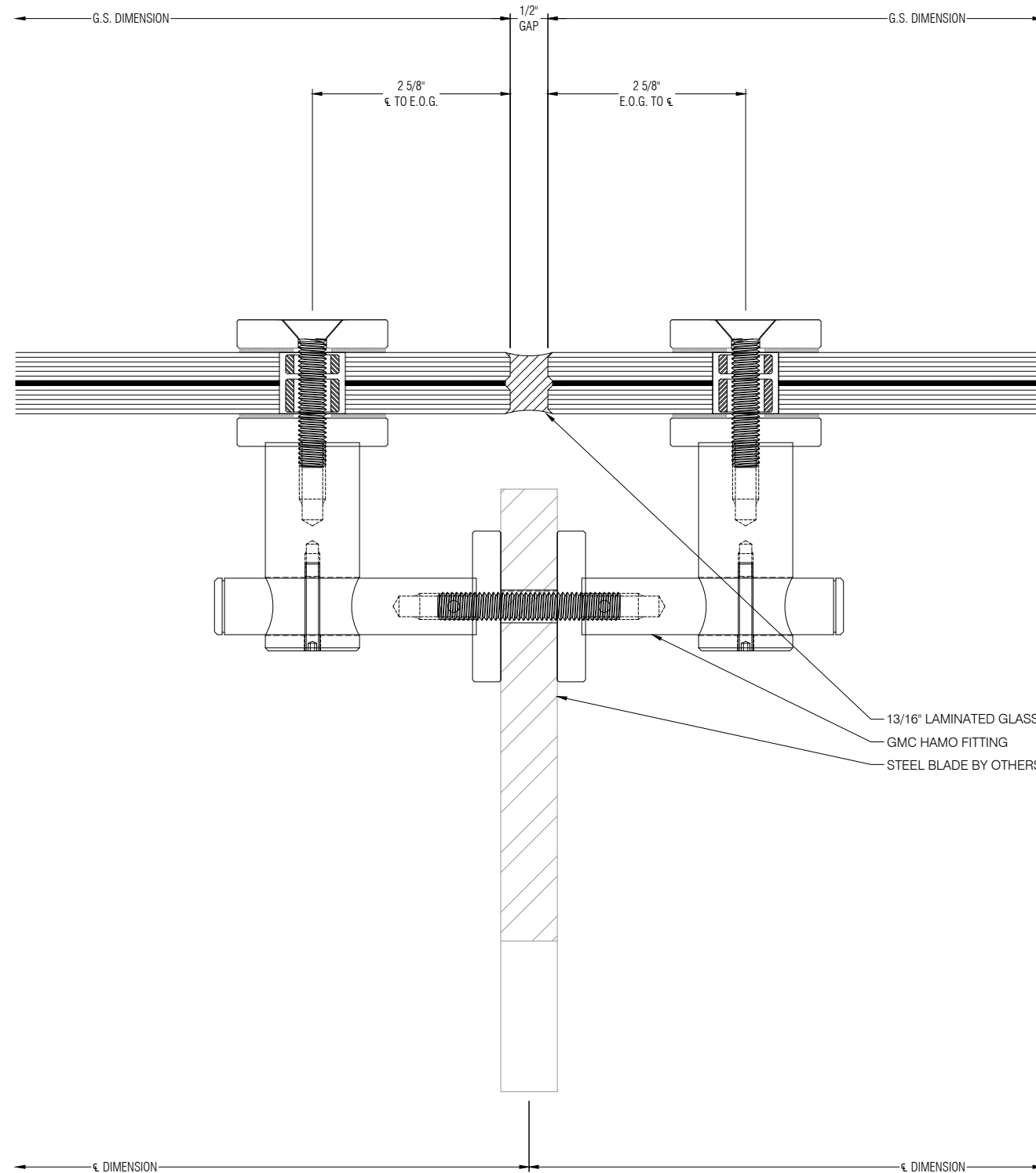
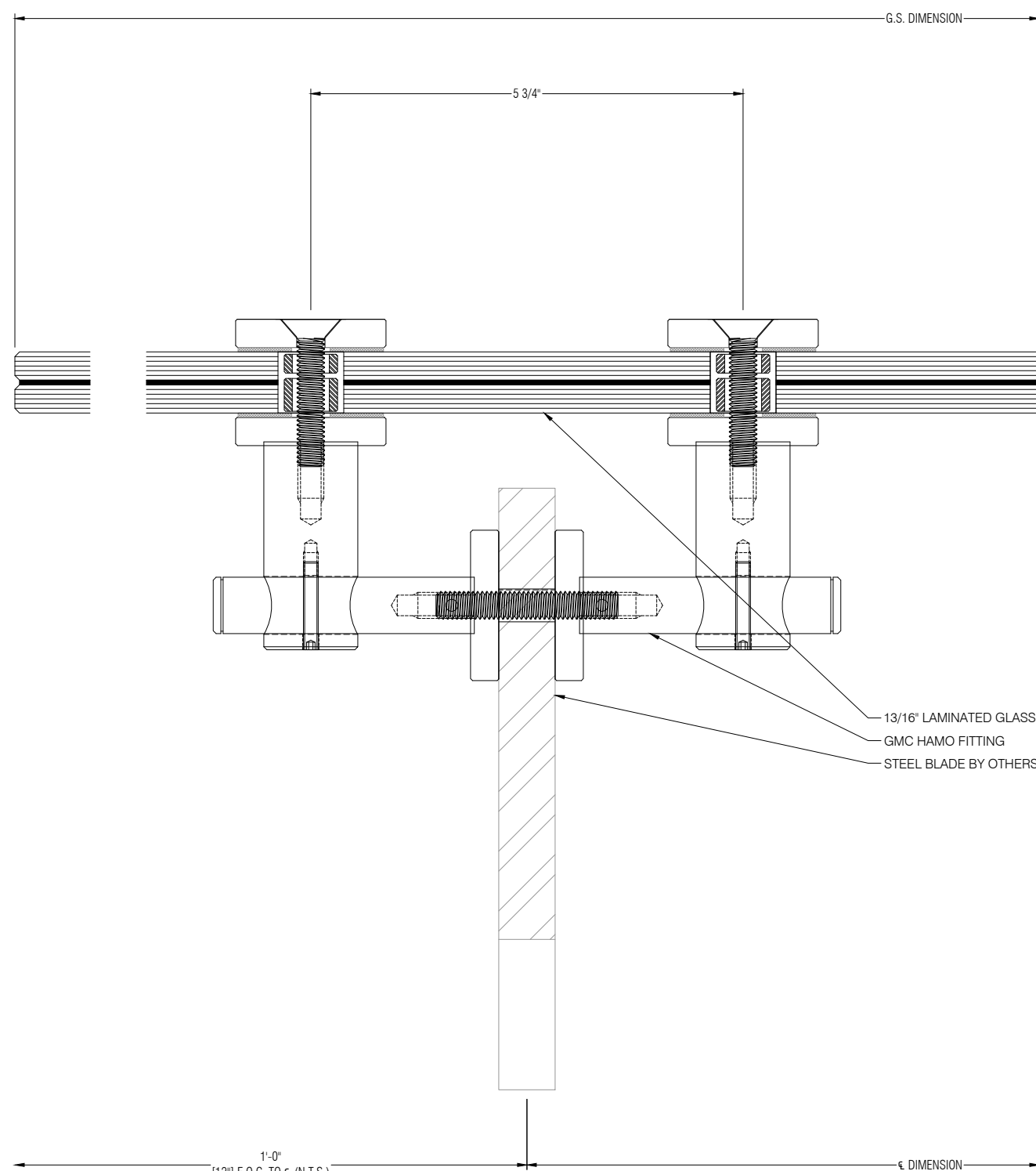
**1** SECTION THRU CANOPY FRONT  
D1 DRAWING SCALE: 24x36: FULL 11x17: HALF REF: 1/S1

**2** SECTION THRU CANOPY REAR  
D1 DRAWING SCALE: 24x36: FULL 11x17: HALF REF: 1/S1



**GLASS+**  
**METAL**  
**CRAFT**

**PROPRIETARY NOTICE:**  
THIS DRAWING SHEET AND CONTENTS HEREIN ARE PROPERTY OF GLASS AND METAL CRAFT AND ITS CUSTOMERS. USE OF THESE DRAWINGS, ITS CONTENT AND DESIGN CONCEPTS ARE INTENDED FOR THE USE OF THE INTENDED RECIPIENT. GLASS AND METAL CRAFT AND ITS CUSTOMERS ARE NOT RESPONSIBLE FOR USE BY OTHER PARTIES.



SUBMITTED FOR  
PRELIMINARY REVIEW. FOR  
DESIGN REPRESENTATION  
ONLY. THIS SUBMITTAL HAS  
NOT BEEN ENGINEERED TO  
ACCOMMODATE  
SITE-SPECIFIC CONDITIONS  
FOR THIS SYSTEM.

REVISION	DATE
SI	XX.XX.XX
1	-
2	-
3	-
4	-

DRAWN BY: AL  
DATE: XX.XX.XX

ARCHITECT:  
ARCHITECTURE FIRM NAME

GMC SYSTEM TYPE:  
IMBER CANOPY

PROJECT NAME:  
PROJECT NAME

SHEET DESCRIPTION:  
DETAILS

SHEET:  
**D2**

**1**  
D2 **CANOPY EDGE SECTION**  
DRAWING SCALE: REF: 1/P3  
24x36: FULL  
11x17: HALF

**2**  
D2 **GLASS JOINT SECTION**  
DRAWING SCALE: REF: 1/P3  
24x36: FULL  
11x17: HALF